



PARTS MANUAL

MODEL K321 14HP

Engine Specs 6006 — 60364*

Generator Specs 10201-10296

HOW TO FIND YOUR PART NUMBER

1 Refer to the Composite Exploded View on page 2 (Grid A2). It contains major engine components boxed and identified by Group Number. Examine these groups for your part. After you locate your part, record the Group Number.

If the part you need is not illustrated, locate a major engine component related to your part and use this component to identify the Group Number.

2 Obtain the Spec Number from the nameplate attached to the engine shrouding. Refer to the Spec Number Index beginning on page 3 (Grid A3). Listed vertically on the left are Spec Numbers. Listed horizontally across

the top are Group Numbers and their titles, and Page Numbers.

Locate your Spec Number. Follow horizontally from your Spec Number to the Group Number column. Where these two columns meet is the Variation Number of your part. Record that Variation Number.

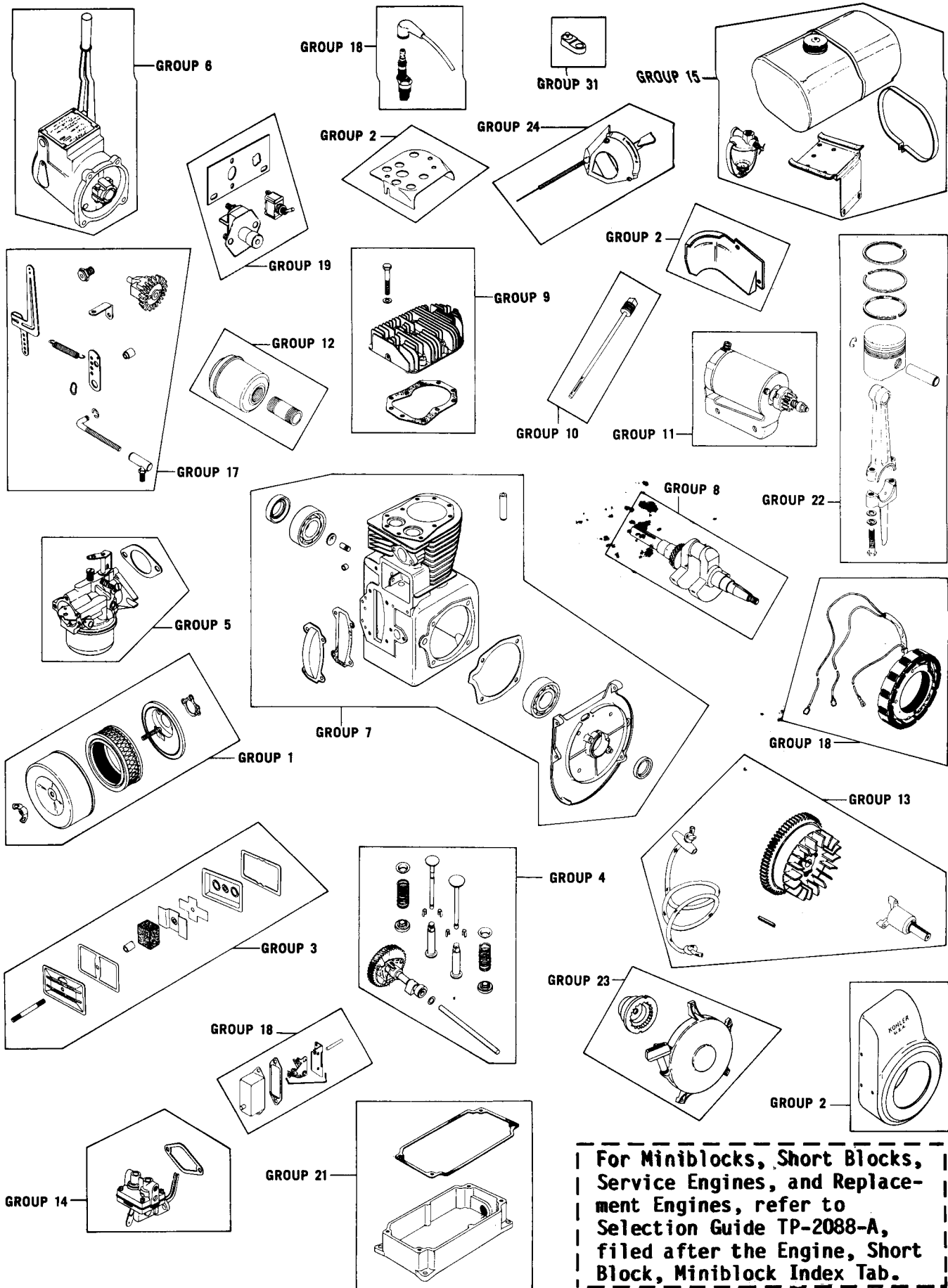
3 Refer to the page (or grid) where your part is listed. Locate the part in the illustration, use its identifying index letter to locate the part name in the listing. Find the Variation Number of your part in those listed below the part name. Your part number is listed to the right of the Variation Numbers.

Illustrations are not intended to show exact detail for all variations covered.

Quantities greater than one are shown in parenthesis behind part description.

*Spec 60396 & later are covered in Supplement TP-2071-A.

COMPOSITE EXPLODED VIEW



For Miniblocks, Short Blocks, Service Engines, and Replacement Engines, refer to Selection Guide TP-2088-A, filed after the Engine, Short Block, Miniblock Index Tab.

**SPEC. NO.
INDEX**

GROUP TITLE	SPEC. NO.																									
	AIR INTAKE	BAFFLES & SHROUD	BREATHER & VENT	CAMSHAFT & VALVES	CARBURETOR	CLUTCH	CRANKCASE	CRANKSHAFT	CYLINDER HEAD	DIPSTICK	ELECTRIC START	EXHAUST	FLYWHEEL	FUEL PUMP	FUEL TANK	GOVERNOR	IGNITION	INSTRUMENT PANEL	OIL PAN	PISTON & ROD	RETRACTABLE START	REMOTE THROTTLE	HIGH TEMP. CUTOUT			
Group No.	1	2	3	4	5	6	7	8	9	10	11	12	13	14	15	17	18	19	21	22	23	24	31			
PAGE NO.	9	11	13	13	14	18	20	21	21	23	25	33	34	35	36	38	40	43	43	44	45	45	46			
VARIATION NUMBER																										
6006*	3	82	1	10	35		91	36	20	30	40		73	21		2	61		1	7			16			
6008*	3	68	2	10	30		124	33	14	17	40		61	4		14	54		24	7						
%6009*	3	58	1	10	28		86	40	12	1	40		43	12		6	32		1	7			2			
6010*	22	45	2	10	32		139	44	12	30	37		91	2		21	53		23	7			10			
6013*	20	50	2	10	34		89	44	23	37	37		62	5		17	68		6	7						
%6017	1	19	1	10	14		68	40	16	1	497	1	33	3	15	1	48	9	1	7						
%6019*	1	66	1	10	28		92	40	16	1	488	1	33	4		1	48		1	7						
#6020	1	151	1	10	14		204	40	490	1		1	1	32	44	1	1		1	7						
#6021	1	152	1	10	14		204	40	490	1		1	13	32	44	1	1		1	7		1				
%6022*	1	69	1	10	14		115	40	16	1	497	19	51	3	15		48	9	1	7						
%6025	6	66	1	10	14	1	125	39	12	22	488	1	78	3		1	48		1	7						
6032	1	19	1	10	14		129	44	12	1	498		62	1			67	11	1	7						
%6038*	1	55	1	10	39		163	40	17	1	37	1	33	4	6	1	32		1	7						
%6041	1	57	1	10	14		68	40	16	1	498		33	3	15	7	48	14	1	7			5			
6044	1	19	1	10	14		115	40	12	1	498		33	1		1	48	11	1	7						
6045*	1	69	1	10	14		135	40	12	1	43	19	65	32	24	1	599		1	7						
6051	1	105	1	10	41		160	40	20	41	37	14	89	4		15	58		27	7						
6053*	1	80	1	10	28		229	38	12	17	47		83	15		25	66		9	7						
6054	1	23	1	10	14		204	44	12	1		1	13	33	24	1	1		1	7		1	11			
6055*	1	97	1	10	28		151	44	20	31	37		90	1		25	49		1	7						
6058*		110	1	10	28		196	40	23	28	496		62	29	21	10	63		1	7						
#6064	1	1	1	10	14		166	40	490	1		1	1	32	24	1	1		1	7						
6065	1	13	1	10	14		166	40	12	1		1	1	1	1	7	1		1	7			5			
6071	1	89	1	10	14		160	40	12	1	497		62	29	21	3	67	9	1	7						
6072	1	23	1	10	14		204	63	490	1		1	118	33	24	1	1		1	7		1				
6078*	1	1	1	10	14		166	66	490	1		1	9	33	24	1	18		1	7						
6079*	1	89	1	10	14		160	66	12	1	497	1	62	29	21	1	67	9	1	7						
6080	1	153	1	10	14		204	40	490	1		1	1	32	44	7	1		1	7			5			
6081	1	89	1	10	14		160	40	12	1	497	1	62	29	21	1	58	9	1	7						
6085	1	23	1	10	14		204	40	490	28		1	13	33	26	7	19		1	7		1	5			
6086	6	151	1	10	14		204	40	490	1		1	1	32	44	1	1		1	7						
6088*	21	80	1	10	28		164	38	12	38	47		83	15		10	66		9	7						
6090	1	169	1	19	14		255	40	55	1		1	13	48	44	1	1		1	7		1				
6091	1	13	1	10	14		166	40	490	1		1	1	32	24	7	1		1	7			5			
6093*		68	2	10	30		124	33	14	17	40		61	4		14	54		24	7						
6099	14	107	1	11	51		207	46	26	40	28	25	105	4	22	1	2		8	7			15			
60102*		68	2	11	30		124	33	14	17	40		61	4		14	72		24	7						
60105*	21	80	1	10	28		164	38	12	38	47		109	15		10	66		9	7						
#60112	1	89	1	11	14		196	40	490	1	491	1	123	32	36	1	90	18	1	7						
60113*		115	2	11	28		216	33	30	17	50		106	4		14	86		24	7						
60117*	1	16	1	11	28		214	38	12	38			108	15		25	15		9	7						
60118*		115	2	11	28		124	33	30	17	40		61	4		14	72		24	7						
60121	1	111	1	10	28		998	44	20	31	37		115	6		25	74		1	7						
60122	1	111	1	11	28		139	44	27	31	37		120	6		25	108		2	7						
60124	1	111	2	10	55		139	44	20	30	493	27	117	2		21	102		23	7			10			
60125	22	111	2	10	32		139	44	27	30	493		117	2		21	102		23	7			10			
60131*	1	89	1	10	28		196	40	23	28	496		62	32	24	25	67		1	7						
60132*	1	111	1	10	28		160	40	27	1	493		122	12		6	107		1	7			2			
60133	3	82	1	10	35		91	36	20	30	53		123	21		21	91		1	7			16			
60134*	24	133	1	11	28		139	77	20	47	55		123	6		1	130		1	7			20			

%Suffix letter B of these specifications have the following variations:

6009*	3	71	1	10	28		160	40	12	1	40		81	12		6	62		1	7			2
6017	1	89	1	10	14		196	40	12	1	497	1	62	3	21	1	67	9	1	7			
6019*	1	98	1	10	28		160	40	12	1	495	1	89	4		1	58		1	7			
6022*	1	112	1	10	14		196	40	12	1	496	19	91	29	15	1	83		1	7			
6025	6	133	1	10	32		89	38	12	30	495	1	85	3		1	79		1	7			
6038*	1	55	1	10	39		153	40	17	1	37	1	62	4	6	1	49		1	7			
6041	1	89	1	10	14		196	40	23	1	498	1	62	27	15	7	66	14	1	7			5

*Optional Accessories: See Page 47 & 48.

#Basic Engine

Gasket Set: See Page 46.

Contact your Kohler engines parts supplier for any specification not listed.

**SPEC. NO.
INDEX**

GROUP TITLE	AIR INTAKE	BAFFLES & SHROUD	BREATHER & VENT	CAMSHAFT & VALVES	CARBURETOR	CLUTCH	CRANKCASE	CRANKSHAFT	CYLINDER HEAD	DIPSTICK	ELECTRIC START	EXHAUST	FLYWHEEL	FUEL PUMP	FUEL TANK	GOVERNOR	IGNITION	INSTRUMENT PANEL	OIL PAN	PISTON & ROD	RETRACTABLE START	REMOTE THROTTLE	HIGH TEMP. CUTOUT	
	1	2	3	4	5	6	7	8	9	10	11	12	13	14	15	17	18	19	21	22	23	24	31	
60135*	1	131	2	11	32		198	44	35	46	493		126	4	27	17	111			8	7			
60136*	1	115	2	11	28		216	33	30	17	50		61	4		14	72			24	7			
60137	1	111	2	11	55		139	44	27	30	493	33	117	2		21	127			23	7		10	
60138*	20	50	2	11	34		89	44	23	37	493		103	5		17	98			6	7			
60140*	1	182	1	11	14		196	40	55	1	494	19	117	32	44	1	100			1	7			
60148*	1	89	1	10	28		196	40	23	28	494		123	32	24	10	94			1	7			
60149*	22	111	2	11	32		139	44	27	30	493		117	2		21	125			23	7		10	
60150	25	163	1	11	28		999	44	20	28	57		116	2		25	129			1	7			
60151*	25	139	1	11	14		139	40	37	31	492		117	4	38	3	106			1	7			
60157	1	89	1	11	14		196	40	12	1	490	1	103	32	24	7	115	22		1	7		5	
60158*	24	86	1	11	68		160	44	20	1	493	3	123	19		7	124			1	7			
60159*	1	115	1	11	28		139	40	20	31	493		116	1		1	123			1	7			
60166	14	142	1	11	51		227	46	41	44	28	25	105			25	114			36	7		21	
60172	1	89	1	11	14		196	40	490	28	30	1	134	32	36	7	116	23		1	7		5	
60173	25	154	1	10	14		166	44	59	1		3	139	33	40	7	1			1	7			
60174*	1	105	1	11	28		160	40	12	1	492	1	123	4		1	90			1	7			
60176*	1	186	1	19	28		250	48	58	30	493		120	42		25	132			1	7			
60179	1	23	2	10	14		204	82	490	1		1	118	33	44	14	1			1	7	1		
60180	1	111	1	11	28		998	44	20	31	493		115	6		25	126			1	7			
60182	1	118	1	11	28		160	66	46	1	494		129	32	41	25	90			1	7			
60183	3	82	1	11	35		91	36	20	30	53	1	123	21		21	128			1	7		16	
60185	1	118	1	11	14		196	40	46	1	491	1	123	32	43	7	115	18		1	7		5	
60186*	1	111	2	11	51		196	40	20	1	37		117	4		24	92			2	7			
60187	1	105	1	10	14		151	44	27	31		1	123	33		27	94			1	7			
60188	1	105	1	10	14		89	44	27	31		1	123	33		27	94			1	7			
60189	1	105	1	10	14		229	38	27	17		1	123	33		27	94			9	7			
60191*	1	131	2	11	51		198	44	35	46	493		126	4	27	17	111			38	7			
60194	1	172	1	11	28		196	40	55	1	489		123	32		25	90			1	7			
60196*	25	189	1	21	75		250	77	76	47	55		123	4		1	134			20	7		20	
60199*	32	200	1	21	68		250	40	57	37	489	1	123	42		25	137			1	7			
60200	3	179	1	11	35		245	40	58	30	53		142	21		21	128			1	7		16	
60201*	30	166	1	19	70		256	40	58	1	493	3	123	43		7	99			37	7			
60202*	1	169	1	19	14		255	40	55	1			13	32	44	25	1			1	7	1		
60204	1	177	1	19	14		248	53	57	28		31	39	25		5	175			4	8			
60209	1	174	1	21	28		259	38	68	38			108	46		25	135			39	7			
60210*	24	169	1	19	68		255	44	57	1		3	13	19		23	171			1	7	1		
60213*	1	183	1	19	14		254	40	82	1	493		122	12		6	139			1	7		2	
60214	1	219	1	21	14		256	40	57	1	489	1	123	4		7	115	27		1	7		5	
60221	1	186	1	19	14		253	44	57	31		1	123	33		27	174			1	7			
60222	1	186	1	19	14		251	44	57	31		1	123	33		27	174			1	7			
60226	14	190	1	21	51		260	46	72	44	28	34	105			25	114			36	7		15	
60227	1	174	1	21	28		272	91	68	38			108	15		25	135			39	7			
60229	38	172	1	19	14		258	44	57	1	54		147	42		3	1			1	7			
60230*	1	172	1	21	28		256	40	55	1	494	40	123	32	24	25	90			1	7			
60231*	30	166	1	21	70		256	40	58	1	493	3	123	51		40	141			37	7			
60233	1	220	2	19	28		258	44	81	1			13	42		17	144			2	7	1		
60235*	1	183	2	21	51		256	92	53	1	37		116	4		24	92			2	7			
60238	1	183	1	21	28		250	44	57	31	58		120	6		25	108			2	7			
60239*	1	183	1	19	14		254	40	82	1	493		152	12		6	139			1	7		2	
60241	3	191	1	19	86		249	79	85	43		24	58	30		5	84			33	8			1
60244	45	231	8	21	83		282	44	84	53	63	39	155	4		33	143			49	7			
60245	1	186	1	19	41		255	40	57	41	37	14	48	4		31	1			22	7			
60247*	1	166	2	21	72		262	33	53	17	62		106	4		14	86			45	12			
60248*	1	196	2	21	51		257	44	63	46	502		126	4	27	17	111			38	7			
60258	38	174	1	21	90		272	91	68	38			108	46		25	135			39	7			
60263*	32	169	1	19	32		279	56	55	48		1	13	32	44	1	1			1	7	1		
60269	50	225	1	21	85		290	97	84	55	500	39	151	4		33	161			36	7			
60270	45	228	8	21	83		287	89	84	52	501	42	156	45		32	148			44	7			
60271*	38	232	1	21	90		250	38	57	54	502	3	116	32		36	113			41	7			
60272	1	186	1	19	14		261	38	57	17		1	123	33		27	174			39	7			

*Optional Accessories: See Page 47 & 48.
#Basic Engine

Gasket Set: See Page 46.
Contact your Kohler engines parts supplier
for any specification not listed.

GENERATOR SET SPEC. NO. INDEX

GROUP TITLE	VARIATION NUMBER																													
	1	2	3	4	5	7	8	9	10	12	13	14	15	17	18	19	21	22	23	31	34	35	36	38	40	43	44	45	46	
<i>Group No.</i>	<i>1</i>	<i>2</i>	<i>3</i>	<i>4</i>	<i>5</i>	<i>7</i>	<i>8</i>	<i>9</i>	<i>10</i>	<i>12</i>	<i>13</i>	<i>14</i>	<i>15</i>	<i>17</i>	<i>18</i>	<i>19</i>	<i>21</i>	<i>22</i>	<i>23</i>	<i>31</i>	<i>34</i>	<i>35</i>	<i>36</i>	<i>38</i>	<i>40</i>	<i>43</i>	<i>44</i>	<i>45</i>	<i>46</i>	
<i>PAGE NO.</i>	9	11	13	13	14	20	21	21	23	33	34	35	36	38	40	43	43	44	45	46										
<i>SPEC. NO.</i>	VARIATION NUMBER																													
10201A	1	79	1	10	40	175	53	12	28	23	82	25		5	70		25	7												
10202A	1	145	1	10	5	175	53	27	28	2	1	25		5	27		4	7												
10202B	1	174	1	19	5	248	53	57	28	2	1	25		5	27		4	7												
10203A	1	62	1	10	40	175	53	12	28	23	58	25		5	70		25	7												
10204A	1	62	1	10	40	175	53	12	28	24	58	25		5	70		25	7												
10205A	1	62	1	10	40	175	53	12	28	24	58	25		5	70		25	7												
10206A	1	193	1	10	5	175	53	27	28	2	58	25		5	27		4	7												
10206B	1	198	1	19	5	248	53	57	28	2	58	25		5	27		4	8												
10207A	15	62	1	10	5	175	53	12	28	28	58	38		99	5	27		28	7											
10207B	15	198	1	19	5	248	53	61	28	28	58	38		99	5	27		28	8											
10208A	1	62	1	10	40	175	53	12	28	24	58	30		5	84		1	7												
10209A	1	62	1	10	40	175	53	12	28	24	58	18		5	70		4	8												
10210A	1	145	1	10	5	175	53	27	28	2	1	25		5	27		4	7												
10210B	1	174	1	19	5	248	53	57	28	2	1	25		5	27		4	7												
10211A	1	37	1	10	14	175	53	27	28		1	25		5	35	50	4	7												
10211B	1	175	1	19	14	248	53	57	28		1	25		5	35	50	4	7												
10212A	1	145	1	10	54	175	53	45	28	31	1	4		5	27		4	7												
10212B	1	174	1	19	54	248	53	70	28	31	1	4		5	27		4	7												
10214A	3	130	1	10	40	222	79	12	43	24	58	30		5	84		33	7												
10214B	3	191	1	19	40	249	79	61	43	24	58	30		5	84		33	8												
10215A	1	145	1	10	5	175	53	27	28	2	1	25		5	27		4	7												
10215B	1	174	1	19	40	248	53	57	28	2	1	25		5	27		4	7												
10216A	13	27	1	10	56	175	53	27	28	2	1	20		5	27		4	7												
10216B	13	192	1	19	56	248	53	57	28	2	1	20		5	27		4	7												
10217A	1	145	1	10	54	175	53	45	28	31	1	4		5	27		4	7												
10217B	1	174	1	19	54	248	53	70	28	31	1	4		5	27		4	7												
10218A	1	62	1	10	54	175	53	7	28	24	58	4		5	84		1	7												
10219A	1	193	1	10	54	175	53	7	28	2	58	4		5	27		4	7												
10219B	1	198	1	19	54	248	53	69	28	2	58	4		5	27		4	8												
10220A	1	145	1	10	5	175	53	27	28	2	1	25		5	27		4	7												
10220B	1	174	1	19	5	248	53	57	28	2	1	25		5	27		4	7												
10221A	1	193	1	10	54	175	53	7	28	2	58	4		5	27		4	7												
10221B	1	198	1	19	54	248	53	69	28	2	58	4		5	27		4	8												
10222A	1	39	1	10	14	175	53	46	1	499	102	32	44	5	35	50	4	7												
10223A	13	130	1	10	56	175	53	12	28	24	58	20		5	84		1	7												
10224A	13	61	1	10	56	175	53	12	28	28	58	28		5	27		28	7												
10224B	13	198	1	19	56	248	53	61	28	28	58	28		5	27		28	8												
10225A	27	145	6	10	61	222	79	27	43	2	132	30		5	27		34	7												
10226A	15	62	1	10	5	175	53	12	28	28	58	38		99	5	27		28	7											
10226B	15	198	1	19	5	248	53	61	28	28	58	38		99	5	27		28	8											
10227A	1	145	1	10	5	222	79	27	28	2	1	25		5	27		35	7												
10228A	1	145	1	10	54	175	53	45	28	31	1	4		5	27		4	7												
10228B	1	174	1	19	54	248	53	70	28	31	1	4		5	27		4	7												
10229A	1	145	1	10	5	175	53	27	28	2	1	25		5	27		4	7												
10229B	1	174	1	19	5	248	53	57	28	2	1	25		5	27		4	7												
10230A	3	130	1	10	40	222	79	12	43	498	58	30		5	84		33	7												
10230B	3	191	1	19	40	249	79	61	43	498	58	30		5	84		33	8												
10231A	1	37	1	10	14	175	53	27	28		1	25		5	35	50	4	7												
10231B	1	175	1	19	14	248	53	57	28		1	25		5	35	50	4	7												
10232A	1	37	1	10	14	175	53	27	28		1	25		5	35	50	4	7												
10232B	1	175	1	19	14	248	53	57	28		1	25		5	35	50	4	7												
10233A	3	130	1	10	40	222	79	12	43	24	58	30		5	84		33	7												
10233B	3	191	1	19	40	249	79	61	43	24	58	30		5	84		33	8												
10234A	13	27	1	10	56	175	53	27	28	2	1	20		5	27		4	7												
10234B	13	192	1	19	56	248	53	57	28	2	1	20		5	27		4	7												
10235A	1	193	1	10	54	175	53	7	28	2	58	4		5	27		4	7												
10235B	1	198	1	19	54	248	53	69	28	2	58	4		5	27		4	8												
10236A	3	130	1	10	40	222	79	12	43	24	58	30		5	84		33	7												
10236B	3	191	1	19	40	249	79	61	43	24	58	30		5	84		33	8												
10237A	28	130	1	10	40	222	79	12	43	24	58	30		5	84		33	7												

Gasket Set: See Page 46.

Contact your Kohler generator parts supplier for any specification not listed.

GENERATOR SET SPEC. NO. INDEX

GROUP TITLE	AIR INTAKE	BAFFLES & SHROUD	BREATHER & VENT	CAMSHAFT & VALVES	CARBURETOR	CRANKCASE	CRANKSHAFT	CYLINDER HEAD	DIPSTICK	EXHAUST	FLYWHEEL	FUEL PUMP	FUEL TANK	GOVERNOR	IGNITION	INSTRUMENT PANEL	OIL PAN	PISTON & ROD	RETRACTABLE START	HIGH TEMP. CUTOUT
	1	2	3	4	5	7	8	9	10	12	13	14	15	17	18	19	21	22	23	31
Group No.	1	2	3	4	5	7	8	9	10	12	13	14	15	17	18	19	21	22	23	31
PAGE NO.	9	11	13	13	14	20	21	21	23	33	34	35	36	3R	40	43	43	44	45	46
SPEC. NO.	VARIATION NUMBER																			
10238A	1	62	1	10	54	175	53	12	28	28	58	4		5	27		28	7		
10238B	1	198	1	19	54	248	53	69	28	28	58	4		5	27		28	8		
10239A	3	130	1	10	40	222	79	12	43	498	58	30		5	84		33	7		
10240A	1	145	1	10	5	175	53	27	28	2	1	25		5	27		4	7		
10240B	1	174	1	19	5	248	53	57	28	2	1	25		5	27		4	7		
10241A	1	145	1	10	54	175	53	45	28	31	1	4		5	27		4	7		
10241B	1	174	1	19	54	248	53	70	28	31	1	4		5	27		4	7		
10242A	13	27	1	10	56	175	53	27	28	2	1	20		5	27		4	7		
10242B	13	192	1	19	56	248	53	57	28	2	1	20		5	27		4	7		
10243A	13	164	1	10	56	240	79	12	43	24	58	20		5	84		33	7		
10245A	1	193	1	10	54	175	53	7	28	2	58	4		5	27		4	7		
10245B	1	198	1	19	54	248	53	69	28	2	58	4		5	27		4	8		
10246A	13	27	1	10	56	175	53	27	28	2	1	20		5	27		4	7		
10246B	13	192	1	19	56	248	53	57	28	2	1	20		5	27		4	7		
10247A	1	39	1	10	14	175	53	46	1	499	102	32	44	5	35	50	4	7	7	
10248A	1	37	1	10	14	175	53	27	28		1	25		5	35	50	4	7		
10248B	1	175	1	19	14	248	53	57	28		1	25		5	35	50	4	7		
10249A	3	130	1	10	40	222	79	12	43	24	58	30		5	84		33	7		
10249B	3	191	1	19	40	249	79	61	43	24	58	30		5	84		33	8		
10250A	1	193	1	10	5	175	53	27	28	2	58	25		5	27		4	7		
10250B	1	198	1	19	5	248	53	57	28	2	58	25		5	27		4	8		
10251A	3	130	1	10	40	222	79	12	43	24	58	30		5	84		33	7		
10251B	3	191	1	19	40	249	79	61	43	24	58	30		5	84		33	8		
10252A	1	37	1	10	14	175	53	27	28		1	25		5	35	50	4	7		
10252B	1	175	1	19	14	248	53	57	28		1	25		5	35	50	4	7		
10253A	1	193	1	10	5	175	53	27	28	2	58	25		5	27		4	7		
10253B	1	198	1	19	5	248	53	57	28	2	58	25		5	27		4	8		
10254A	3	130	1	10	40	222	79	12	43	24	58	30		5	84		33	7		
10254B	3	191	1	19	40	249	79	61	43	24	58	30		5	84		33	8		
10255A	1	27	1	10	64	175	53	45	28	31	1	4		5	27		4	7		
10255B	1	192	1	19	64	248	53	70	28	31	1	4		5	27		4	7		
10256A	3	130	1	10	40	222	79	12	43	24	58	30		5	84		33	7		
10256B	3	191	1	19	40	249	79	61	43	24	58	30		5	84		33	8		
10257A	1	164	1	10	54	222	79	12	43	498	58	4		5	84		33	7		
10257B	1	199	1	19	73	249	79	69	43	498	58	4		5	84		33	8		
10259A	1	62	1	10	54	175	53	12	28	28	58	4		5	27		28	7		
10259B	1	198	1	19	54	248	53	69	28	28	58	4		5	27		28	8		
10260A	1	164	1	10	54	222	79	12	43	24	58	4		5	84		33	7		
10260B	1	199	1	19	73	249	79	69	43	24	58	4		5	84		33	8		
10261B	13	192	1	19	71	248	53	57	28	2	1	20		5	27		4	7		
10262B	1	184	1	19	14	248	53	55	1	497	13	32	44	5	35	50	4	7	1	
10263B	1	175	1	19	14	248	53	57	28		1	25		5	35	50	4	7		
10264B	1	174	1	19	40	248	53	57	28	2	1	25		5	27		4	7		
10265B	1	174	1	19	40	248	53	57	28	24	131	25		5	27		4	7		
10266B	1	174	1	19	40	248	53	57	28	2	1	25		5	27		4	7		
10267A	13	199	1	19	71	240	79	61	43	24	58	41		5	84		33	8		
10267B	13	199	1	19	71	240	79	61	43	24	58	41		5	84		33	8		
10268B	3	191	1	19	40	249	79	61	43	498	58	30		5	84		33	8		
10269B	1	174	1	19	5	248	53	57	28	2	1	25		5	27		4	7		
10270B	37	174	7	19	78	278	53	57	30	2	150	30		5	27		42	7		
10271B	3	191	1	19	40	249	79	61	43	24	58	30		5	84		33	8		
10272B	3	191	1	19	86	249	79	85	43	496	58	30		5	84		33	8	1	
10273B	37	174	7	19	78	278	53	57	30	2	150	30		5	27		42	7		
10274B	1	39	1	10	14	175	53	46	1	497	102	32	44	5	35	50	4	7	7	
10275B	3	191	1	19	86	249	79	85	43	24	58	30		5	84		33	8		1
10276B	3	191	1	19	86	249	79	85	43	24	58	30		5	84		33	8		1
10277B	1	184	1	19	14	248	53	55	1	497	13	32	44	5	35	50	4	7	1	
10278B	3	191	1	19	86	249	79	85	43	24	58	30		5	84		33	8		1
10279B	3	191	1	19	86	249	79	85	43	24	58	30		5	84		33	8		1
10280B	3	191	1	19	86	249	79	85	43	24	58	30		5	84		33	8		1

Gasket Set: See Page 46.

Contact your Kohler generator parts supplier for any specification not listed.

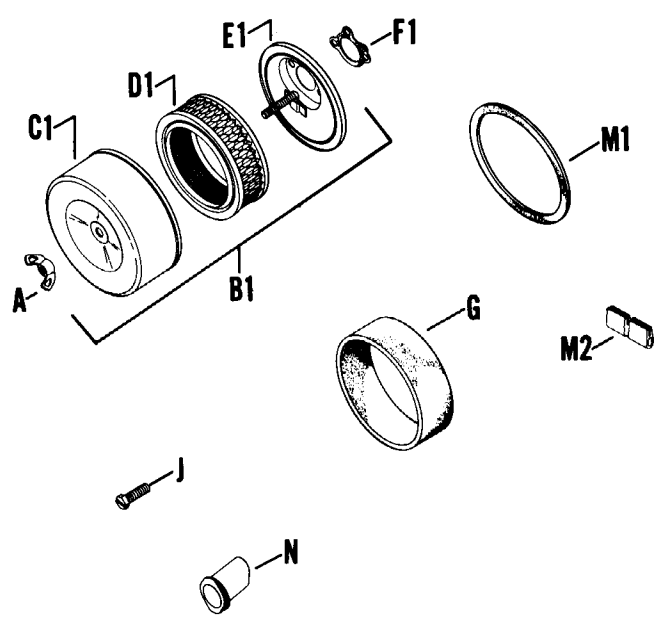
GENERATOR SET SPEC. NO. INDEX

GROUP TITLE	AIR INTAKE	BAFFLES & SHROUD	BREATHER & VENT	CAMSHAFT & VALVES	CARBURETOR	CRANKCASE	CRANKSHAFT	CYLINDER HEAD	DIPSTICK	EXHAUST	FLYWHEEL	FUEL PUMP	FUEL TANK	GOVERNOR	IGNITION	INSTRUMENT PANEL	OIL PAN	PISTON & ROD	RETRACTABLE START	HIGH TEMP. CUTOUT
<i>Group No.</i>	1	2	3	4	5	7	8	9	10	12	13	14	15	17	18	19	21	22	23	31
PAGE NO.	9	11	13	13	14	20	21	21	23	33	34	35	36	38	40	43	43	44	45	46
SPEC. NO.	V A R I A T I O N N U M B E R																			
10281B	13	198	1	19	56	248	53	61	28	2	58	28		37	27		4	8		
10282B	3	199	1	24	73	249	79	69	43	24	58	4		5	84		33	8		1
10283B	3	191	1	19	86	249	79	85	43	24	58	30		5	84		33	8		1
10284B	44	229	1	19	86	249	79	85	43	24	58	44		5	84		33	8		1
10285B	3	191	1	19	86	249	79	85	43	24	58	30		5	84		33	8		1
10286B	3	191	1	19	86	249	79	85	43	24	58	30		5	84		33	8		1
10287B	13	199	1	19	71	248	79	85	43	24	58	30		37	84		33	8		1
10288B	3	175	1	19	14	248	53	57	28	497	1	25		5	35	50	4	8		
10289B	3	175	1	19	14	248	53	57	28	497	1	25		5	35	50	4	8		
10290B	44	229	1	19	86	249	79	85	43	24	58	44		5	84		33	8		1
10291B	3	174	1	19	40	248	53	57	28	2	1	25		5	27		4	8		
10292B	13	198	1	19	56	248	53	61	28	2	58	28		37	27		4	8		
10293B	51	229	1	19	86	249	79	85	43	24	58	44		5	84		33	8		1
10294B	3	198	1	24	64	248	53	69	28	31	58	4		5	27		4	8		
10295B	3	174	1	19	5	248	53	57	28	2	18	25		5	27		4	8		
10296B	51	229	1	19	86	249	79	85	43	24	58	44		5	84		33	8		1

Gasket Set: See Page 46.

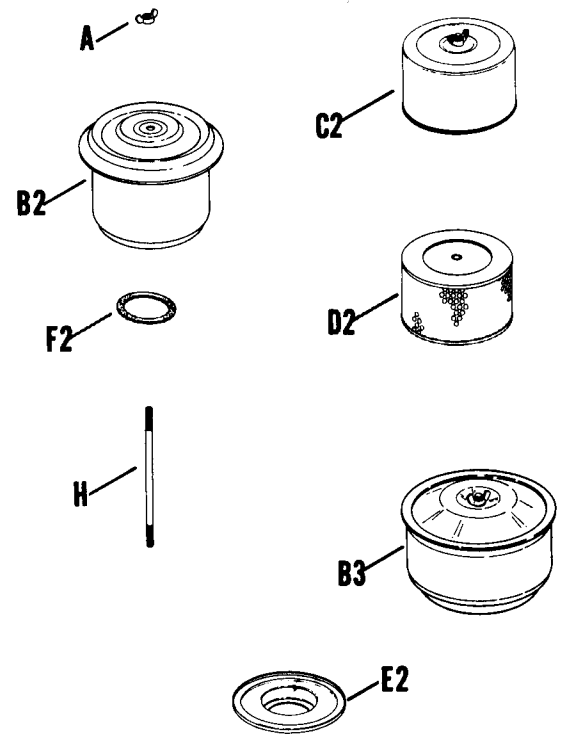
Contact your Kohler generator parts supplier for any specification not listed.

1 AIR INTAKE



Index Letter	Description Variation Number	Part Number
A	Nut, wing 1/4-20 1, 3, 6, 14, 20, 21, 25, 27, 28, 37, 38, 43, 44, 45, 46, 48, 50, 51, 53	X-276-7
B1	Cleaner, air - assem. (Includes A, C1, D1 & E1) 1, 3, 14, 25	A-235100
B2	Cleaner, air 6	151834
B3	Cleaner, air 13	272461
B4	Cleaner, air - assem. (Includes Q, R, S & T) 15	A-230538
C1	Cover, cleaner 1, 3, 14, 20, 21, 25, 27, 37, 44 38, 48, 51	235102 237848
C2	Cover, cleaner 28	277142
C3	Cover, cleaner 43, 46, 50, 53 45	47 082 01 47 082 03
D1	Element, filter 1, 3, 14, 20, 21, 25, 27, 38, 38, 48, 51 43, 46, 50, 53 44 45	235116 47 083 01 47 083 02 47 083 03
D2	Element, filter 28	277138

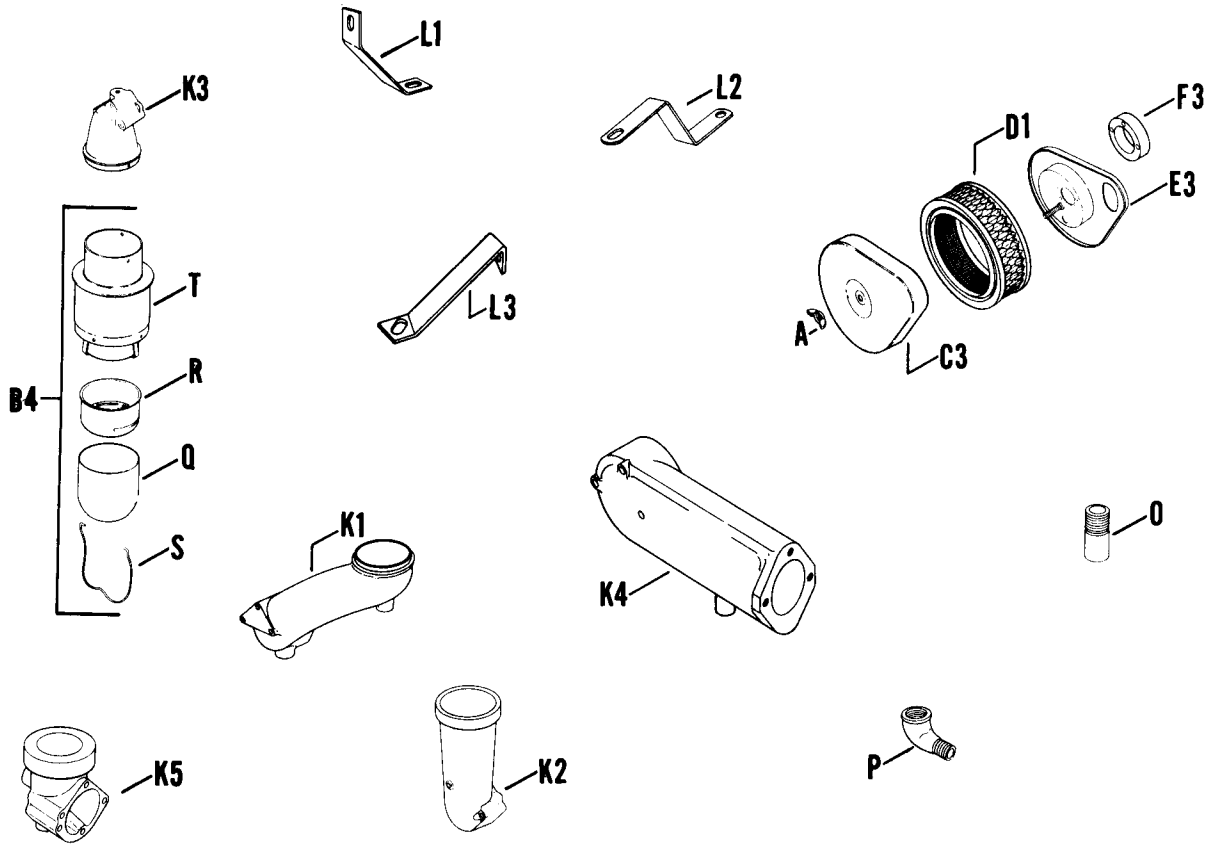
Index Letter	Description Variation Number	Part Number
E1	Base, cleaner 1, 3, 14, 21, 25, 44 28 38, 48, 51	235101 236638 237424
E2	Base, cleaner 20, 27, 37	235123
E3	Base, cleaner 43, 53 45 46 50	47 094 11 47 094 08 47 094 06 47 094 07
F1	Gasket, air horn 1, 3, 6, 13, 14, 15, 20, 21, 24, 25, 27, 28, 30, 32, 37, 38, 44, 47, 48, 51, 63	275341
F2	Gasket, cleaner 6, 20, 27, 37	AC-1787
F3	Gasket, air horn 43, 45, 46, 50, 53	47 041 02
G	Precleaner, element (May be used with filter element 235116) Precleaner, element (May be used with filter element 277138)	237421 277593
H	Stud, cleaner 1/4 - 20 x 6-5/8 6, 30 Stud, cleaner 1/4 - 20 x 4-7/8 20, 27, 37	210186-1 235156



AIR INTAKE

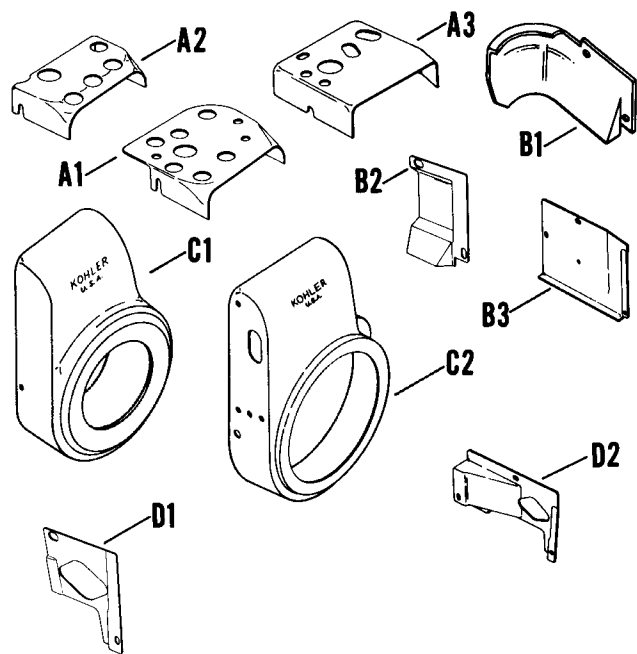
K 321

AIR INTAKE



Index Letter	Description Variation Number	Part Number	Index Letter	Description Variation Number	Part Number
J	Screw, hex. hd. #10-32 x 5/16 (3) 1, 3, 14, 21, 25, 28, 38, 44, 48, 51	X-167-2	L3	Brace, air cleaner 22	236968
K1	Elbow, air cleaner 6, 20, 24, 30, 32	235167	M1	Seal, air cleaner 38, 48, 51	237423
	Elbow, air cleaner (Includes nipple) 27, 37	236229	M2	Seal, air cleaner 43, 45, 46, 50, 53	47 032 03
	Elbow, air cleaner 47	45 054 03	N	Tube 43, 45, 46, 50, 53	47 134 02
K2	Elbow, air cleaner 13	275259	O	Nipple 1/4 x 11/8 27, 37	X-226-2
K3	Elbow, air cleaner 15	235553	P	Elbow, street 90° 27, 37	X-211-6
K4	Elbow, air cleaner 22	236969	Q	Cup, air cleaner 15	231414
K5	Elbow 63	48 054 08	R	Baffle, air cleaner 15	231415
L1	Brace, air cleaner 6, 20, 24, 27, 30, 32, 37, 47	235339	S	Fastener, oil cup 15	231416
L2	Brace, air cleaner 15	235539	T	Body, upper 15	232561

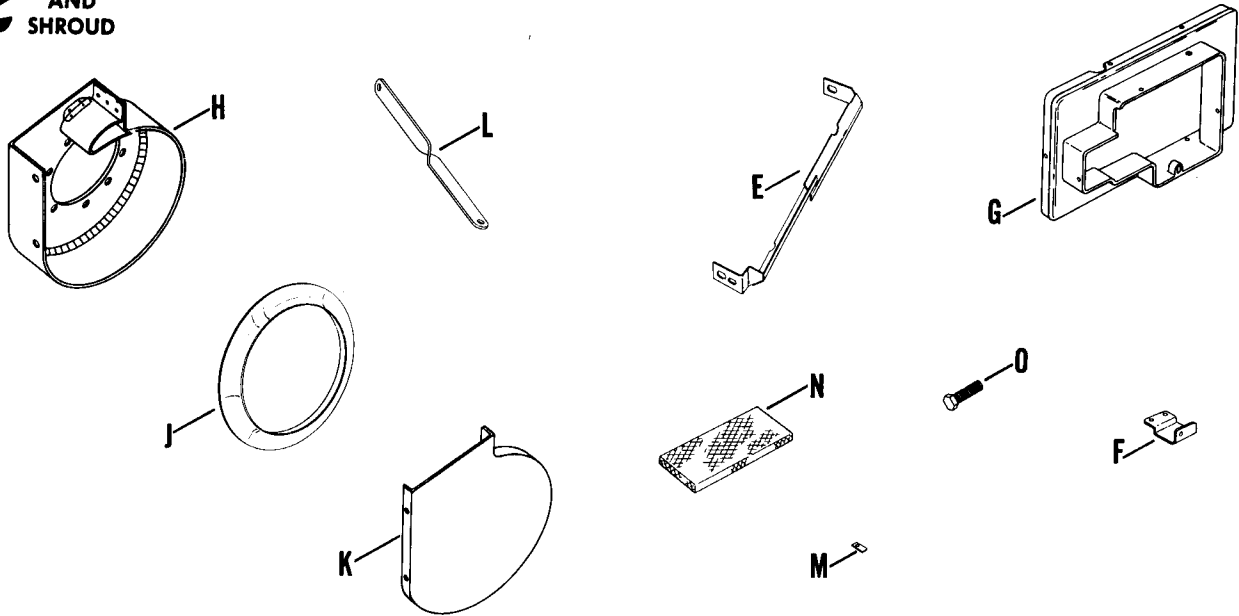
2 BAFFLES AND SHROUD



Index Letter	Description Variation Number	Part Number
Use stock of original part number before ordering replacement.		
A1	Baffle, head (Use 237520 after engine serial no. 3184999) 1, 13, 19, 27, 37, 45, 57, 58, 61, 62, 66, 71, 79, 89, 98, 110, 130, 164, 193	235049
	Baffle, head 16, 18	235955
	50, 68	236915
	55	235367
	191, 198, 199, 299	237678
A2	Baffle, head (Use 235049 prior to engine serial no. 3185000) (Use 237677 on engine spec suffix "C") 23, 39, 69, 82, 86, 97, 105, 107, 111, 112, 115, 118, 131, 133, 139, 142, 145, 151, 152, 153, 154	237520
	Baffle, head 163, 166, 168, 169, 172, 174, 175, 177, 179, 182, 183, 184, 186, 187, 189, 190, 192, 195, 196, 200, 215, 219, 220, 253, 255, 261	237677
A3	Baffle, head 225, 231, 236, 244	47 124 03
	228, 237	47 124 09

Index Letter	Description Variation Number	Part Number
B1	Baffle, cylinder (Use 236676 after engine serial no. 3184999) 1, 13, 19, 27, 37, 39, 45, 50, 55, 61, 62, 71, 79, 89, 110, 130	235054
	Baffle, cylinder 16, 57, 58, 66, 80, 98, 145, 164, 174, 175, 177, 184, 187, 191, 192, 193, 198, 199, 219, 229	235054
B2	Baffle, cylinder (Use 235054 prior to engine serial no. 3185000) 23, 68, 69, 82, 86, 97, 105, 107, 111, 112, 115, 118, 131, 133, 139, 142, 151, 152, 153, 154, 163, 166, 168, 169, 172, 179, 182, 183, 186, 189, 190, 191, 195, 196, 200, 215, 220, 253, 255, 261	236676
B3	Baffle, cylinder 225, 228, 231, 236, 237, 244	47 063 05
C1	Housing, blower 1, 27, 145, 151, 168, 174, 192	235901
	13, 37, 153, 175	235934
	19, 57, 89, 118, 172, 219	237047
	23, 39, 184	236289
	45, 71, 111, 183, 187, 232	236680
	50	237124
	55	236802
	61, 62, 79, 130, 164, 191, 193, 198, 199, 229	235561
	66, 98, 105, 163, 186	237110
	68, 80, 86, 115, 166	236865
	69, 112, 182	236797
	82, 179	236985
	97	237096
	107	237279
	110, 200	236788
	131, 196	237525
	133, 189	237106
	139, 215	237542
	142, 190	237624
	152, 169	235693
	154	236221
	177	237702
	220	237897
	Housing, blower 16, 195	236407
	Housing, blower (Discontinued—Not Available) 58	236603

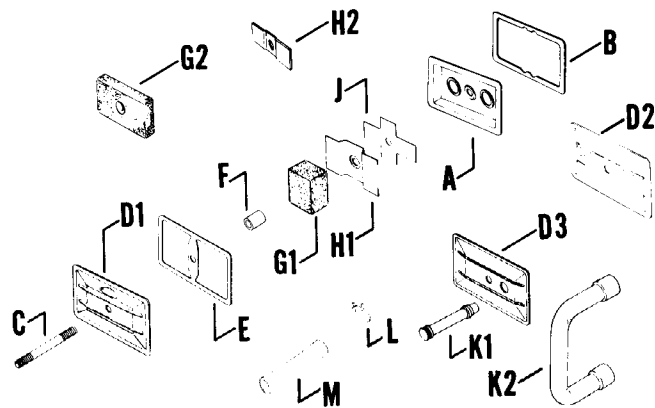
2 BAFFLES AND SHROUD



Index Letter	Description Variation Number	Part Number	Index Letter	Description Variation Number	Part Number	
C2	Housing, blower 225, 237	47 027 07	E	Deflector 82, 179	236847	
	228, 231, 236, 244	47 027 05		F	Bracket, duct support 225, 228, 231, 236, 237, 244	47 126 08
	240	47 027 10			G	Duct, air 228
	253	47 027 19		Duct, air 225, 231, 236, 237		47 281 06
	255	47 027 18		244	47 281 04	
	261	47 027 27		H	Scroll 61, 62, 79, 193, 198	236717
C2	Housing, blower 225, 237	47 027 07	130, 164, 191, 199		237475	
	228, 231, 236, 244	47 027 05	229		47 416 01	
	240	47 027 10	J		Baffle, air 61, 62, 79, 130, 164, 191, 193, 198, 199, 229	236390
	253	47 027 19			K	Cover, scroll 61, 62, 193, 198
	225	47 027 18	79			275827
	261	47 027 27	130, 164, 191, 199, 229	237476		
D1	Baffle, side air 1, 13, 16, 19, 23, 37, 39, 45, 50, 55, 57, 58, 62, 66, 68, 69, 71, 79, 80, 82, 86, 89, 97, 98, 105, 107, 110, 111, 112, 115, 118, 130, 131, 133, 139, 142, 145, 151, 152, 153, 154, 163, 166, 168, 169, 172, 174, 175, 177, 179, 182, 183, 184, 186, 187, 189, 190, 191, 193, 195, 196, 198, 200, 215, 219, 220, 229, 232, 240, 253, 255, 261	235652	L	Bracket, scroll support 61, 79, 193, 198	236718	
	27, 61, 164, 192, 199	236272		M	Brace 229	41 120 02
	D2	Baffle, side air 225, 228, 231, 236, 237, 244	47 063 01		N	Screen, air outlet 229
						O

3 BREATHER AND VENT

CAMSHAFT AND VALVES **4**



Index Letter	Description Variation Number	Part Number
--------------	------------------------------	-------------

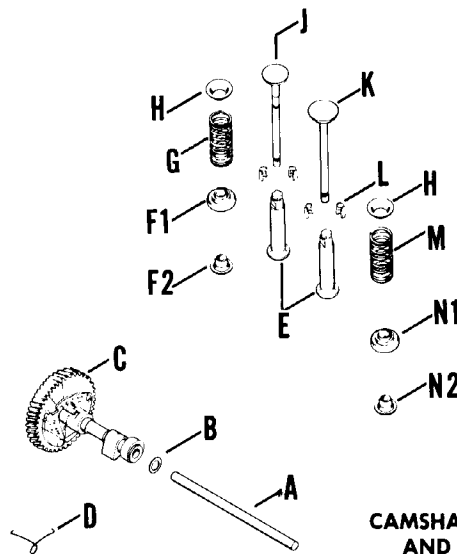
Use stock of original part number before ordering replacement.

A	Pin, camshaft (Replaced by 235193) 10, 11, 19, 21, 24 29	235053 235193
B	Spacer, camshaft .005 (A.R.) 10, 11, 19, 21, 24, 29 Spacer, camshaft .010 (A.R.) 10, 11, 19, 21, 24, 29	275066 275067
C	Camshaft - assembly (Includes D) (Replaced by 47 010 06) 10, 19, 24 Camshaft - assembly (Includes D) (Replaced by 45 010 01) 11, 21 Camshaft - assembly (Includes D) 29	J-235646 J-235661 47 010 04
D	Spring, actuating 10, 11, 19, 21, 24	47 089 01
E	Tappet (2) 10, 11, 19, 21, 24, 29	D-235327
F1	Retainer, exhaust valve 10, 11, 19, 21, 29	230011
F2	Rotator, exhaust valve 24	230020
G	Spring, exhaust valve 10, 11, 19, 21, 29 24	235168 235010

Index Letter	Description Variation Number	Part Number
--------------	------------------------------	-------------

Use stock of original part number before ordering replacement.

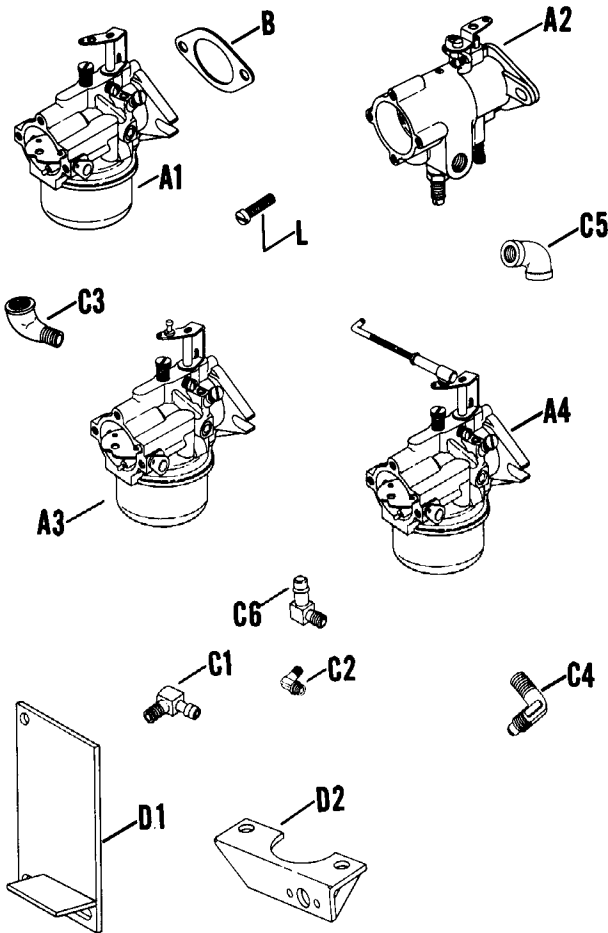
A	Plate, breather 1, 2, 6, 7, 8, 9	235631
B	Gasket 1, 2, 6, 7, 8, 9	235048
C	Stud, valve cover 1, 6, 7, 8, 9 2	275220 235551
D1	Cover, valve (Standard) 1, 2,	275143
D2	Cover, valve (Closed) 6, 7, 9	275839
D3	Cover, valve (Closed) 8	47 096 01
E	Gasket, valve cover 1, 2, 6, 7, 8, 9	275144
F	Seal, breather 1, 2, 6, 7, 8, 9	231032
G1	Filter 1, 2, 6, 7, 9	235118
G2	Filter 8	47 050 01
H1	Baffle 1, 2, 6, 7, 9	235117
H2	Stop, breather reed 8	270146
J	Reed, breather 1, 2, 6, 7, 8, 9	235047
K1	Hose, breather 8	47 326 01
K2	Hose, breather 9	47 326 02
L	Clamp, hose 6	X-426-3
M	Hose 1/2 I.D. x 3/4 O.D. x 3-1/8 6, 7	X-484-2



CAMSHAFT AND VALVES **4**

Index Letter	Description Variation Number	Part Number	Index Letter	Description Variation Number	Part Number
H	Retainer, spring upper (2) 10, 11, 19, 21, 24, 29	235011			
J	Valve, exhaust (Stellite) (Use 237672 on spec suffix "D" & later) 10, 11	235838			
	Valve, exhaust (Stellite) 19, 21, 24, 29	237672			
K	Valve, intake (Stellite) 10, 11, 19, 21, 24, 29	235582			
L	Kit, retainer (2) 10, 11, 19, 21, 24, 29	41 755 10			
M	Spring, intake valve 10, 11, 19, 21, 29	235168			
	24	235010			
N1	Retainer, intake valve 10, 11, 19, 21	230011			
N2	Rotator, intake valve 24	230020			

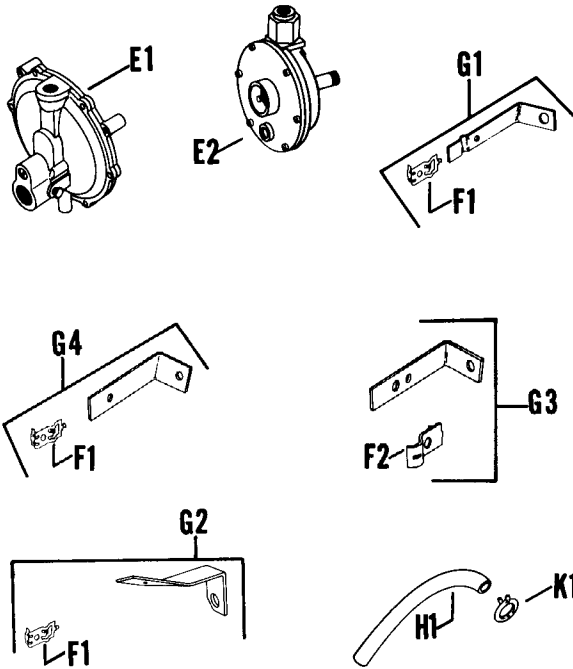
5 CARBURETOR



Use stock of original part number before ordering replacement.

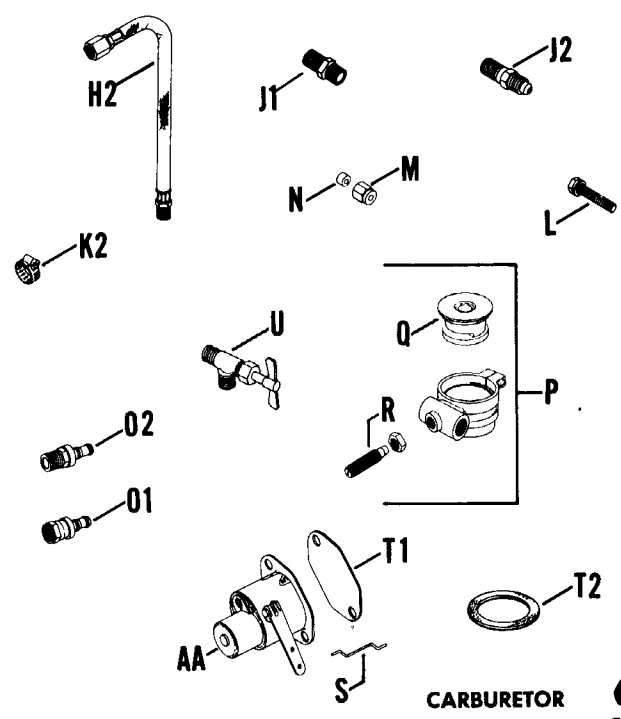
A1	Carburetor - assembly <i>(Replaced by 47 053 17)</i> 14, 32	47 053 06
	Carburetor - assembly <i>(Replaced by 47 053 16)</i> 28, 30, 34, 35, 39, 41, 51, 55, 68, 70	47 053 05
	Carburetor - assembly <i>(Replaced by 47 053 15)</i> 72	47 053 04
A2	Carburetor - assembly <i>(Replaced by B-237821)</i> 54, 64, 73, 75	A-237821
A3	Carburetor - assembly 83	47 053 03
	85	47 053 09
	117	47 053 30
A4	Carburetor - assembly 90, 94	47 053 15
	93, 116	47 053 20
	118	47 053 31
	127	45 053 55
B	Gasket, carburetor 5, 14, 28, 30, 32, 34, 35, 39, 40, 41, 51, 54, 55, 56, 61, 64, 68, 70, 71, 72, 73, 75, 78, 86	271030
	83, 85, 90, 93, 94, 116, 117, 118, 127	47 049 01
C1	Elbow <i>(Copper fuel line use 231509)</i> 5, 14, 28, 30, 32, 34, 35, 40, 51, 55, 56, 61, 68, 70, 71, 72, 78, 83, 90, 94, 116, 117, 118, 127	X-391-1
C2	Elbow 39	231510
	54	237813
	Elbow (2) 75	237813
C3	Elbow 54	X-274-9
	64, 73	X-211-8
C4	Elbow 56, 71	X-447-5
	86	X-447-10
C5	Elbow 73	X-215-5
C6	Elbow 85	X-391-12
D1	Bracket, regulator 54, 56, 64, 71, 73	231471

5 CARBURETOR



Index Letter	Description Variation Number	Part Number
D2	Bracket, regulator 75	236449
E1	Regulator 54, 56, 64, 71, 73	B-230695
E2	Regulator 75	B-220578
F1	Clip, choke cable 28, 35, 39, 41, 51, 68, 90 30, 72	235603 X-689-1
F2	Clip, choke cable 55	235778
G1	Bracket, choke - assembly (Includes 235603 clip) 28, 35, 39, 41, 51, 68, 90, 93, 118, 127	A-236919
G2	Bracket, choke - assembly (Includes X-689-1 clip) 30	A-236920
G3	Bracket, choke - assembly (Includes 235778 clip) 55	A-236921
G4	Bracket, choke - assembly (Includes X-689-1 clip) 72	A-237774
H1	Hose, flexible 8-1/2 54, 75	X-409-5
	Hose, flexible 11 73	X-651-10
	Hose, flexible 10-1/2 85	X-777-1
H2	Hose, flexible 12-1/4 56, 71	235171

Index Letter	Description Variation Number	Part Number
J1	Connector (3) 39, 71	231509
	Connector (2) 56	231509
J2	Connector 54, 73	X-296-2
K1	Clamp, hose (2) 54, 75	X-426-3
L	Screw, sltd. hd. 5/16 - 18 x 1 (2) 5, 14, 28, 30, 32, 34, 35, 39, 40, 41, 51, 54, 55, 56, 64, 68, 70, 71, 72, 73, 75, 78, 83, 85, 86, 90, 93, 94, 116, 117, 118, 127	X-770-1
	Screw, hex. hd. 1/4 - 20 x 1-1/4 54, 56, 64, 71, 73	X-776-1
M	Nut (Copper fuel line only) 56, 71	220786
N	Sleeve (Copper fuel line only) 56, 71	220547
O1	Fitting, hose (Swivel) 54, 73	X-653-1
O2	Fitting, hose 73	X-652-1
P	Adapter, carburetor - assembly (Includes Q & R) 56, 71	A-237412
Q	Venturi 56, 71	237411
R	Valve, adapter 56, 71	270662
S	Linkage, choke 5, 40, 56, 61, 71, 78, 86	235466
T1	Gasket, choke 5, 40, 56, 61, 71, 78, 86	240285

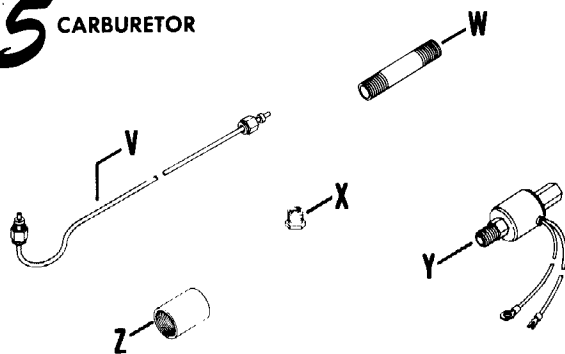


5

K 321

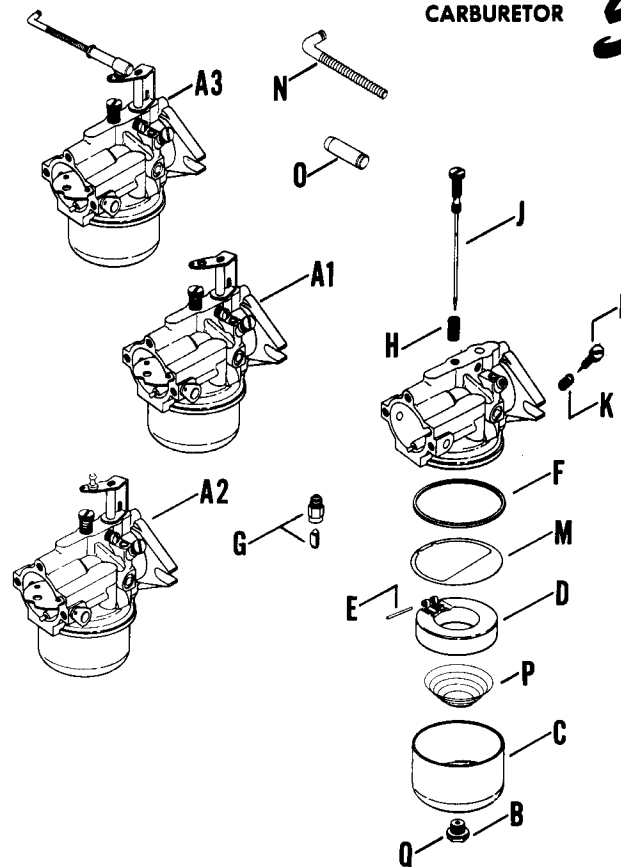
Index Letter	Description Variation Number	Part Number
T2	Gasket 56, 71	270550
U	Valve, needle 56, 71	221282
V	Line, idle 14-13/16 copper 56, 71	A-237389
W	Pipe 1/8 x 3/4 56, 71	X-217-6
	Pipe 3/8 x 2 64	X-204-6
	Pipe 1/4 x 7/8 (2) 73	X-220-5
X	Bushing, reducer 1/4 I.D. x 3/8 O.D. 54, 73	X-202-30
	Bushing, reducer 3/8 I.D. x 7/8 O.D. 56, 71	X-202-28
	Bushing, reducer 1/4 I.D. x 3/4 O.D. 56, 71	X-202-7
	73	A-105
Y	Solenoid 86	47 462 02
Z	Coupling 1/8 (2) 56, 71	X-216-24
AA	Choke, automatic 5, 56	230426
	86	47 175 01
	Choke, automatic (Replaced by 238095) 40, 61, 71, 78	235776

5



CARBURETOR

5



Index Letter	Description Variation Number	Part Number
--------------	---------------------------------	-------------

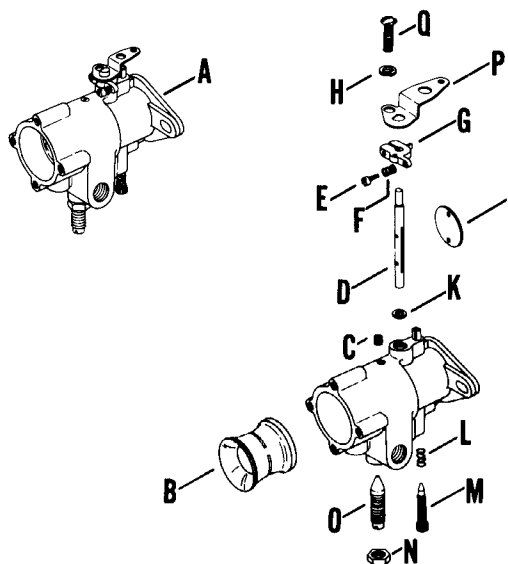
Use stock of original part number before ordering replacement.

All includes variations 14, 28, 30, 32, 34, 35, 39, 41, 51, 55, 68, 70, 72, 83, 85, 90, 93, 94, 116, 117, 118, 127, 602, 603

A1	Carburetor - assembly (Includes B thru M) (Replaced by 47 053 17) 14, 32	47 053 06
	Carburetor - assembly (Includes B thru M) (Replaced by 47 053 16) 28, 30, 34, 35, 39, 41, 51, 55, 68, 70	47 053 05
	Carburetor - assembly (Includes B thru M) (Replaced by 47 053 15) 72	47 053 04
A2	Carburetor - assembly (Includes B thru M) 83	47 053 03
	85	47 053 09
	117	47 053 30

Index Letter	Description Variation Number	Part Number
A3	Carburetor - assembly (Includes B thru O) 90, 94	47 053 15
	602	47 053 16
	127	45 053 55
	603	47 053 17
	93, 116	47 053 20
	118	47 053 31
B	Screw, bowl retainer (Replaced by 47 100 06) ALL	47 100 04
C	Bowl ALL	235448
D	Kit, float (Includes M) ALL	25 757 03
E	Pin ALL	200376
F	Gasket, bowl ALL	200375
G	Needle and seat (Available only in Carburetor Repair Kit. See Index Letter Q.) ALL	
H	Spring, main fuel adjusting needle ALL	200383
J	Needle, main fuel adjusting (Use 275373 prior to engine serial no. 3020406) (Use 237489 on engine serial no. 3020407 thru 5125238) 14, 28, 30, 32, 34, 35, 39, 41, 51, 55, 68, 70, 72, 83, 85	47 103 01
	Needle, main fuel adjusting 90, 93, 94, 116, 117, 602, 603	47 103 01
	118, 127	45 103 01
K	Spring, idle fuel adjusting needle ALL	200380
L	Needle, idle fuel adjusting ALL	275231
M	Gasket, bowl baffle ALL	25 041 02
N	Rod, ball joint 90, 93, 94, 116, 118, 127, 602, 603	235277
O	Ball joint 90, 93, 94, 116, 118, 127, 602, 603	45 208 03
P	Spring, float 117, 118, 127	237917
Q	Repair kit (Includes bowl nut gasket, bowl ring gasket, bowl baffle gasket, float pin, needle valve, needle seat gasket and needle & seat body) ALL (except 117, 118, 127) 117, 118, 127	25 757 01 25 757 02

CARBURETOR



Index Letter	Description Variation Number	Part Number
--------------	---------------------------------	-------------

Use stock of original part number before ordering replacement.

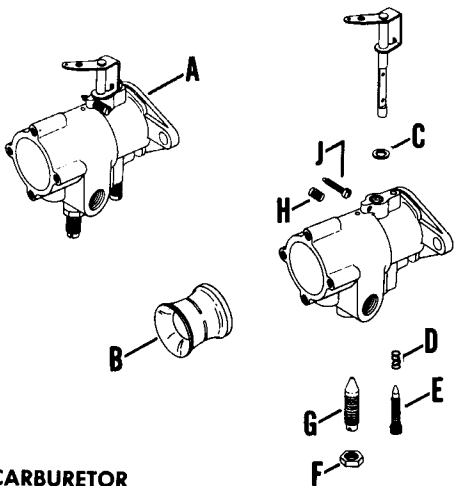
A	Carburetor - assembly (Includes B thru Q) (Replaced by B-237821) 54, 64, 73, 75	A-237821
B	Venturi 54, 64, 73, 75	236666
C	Screw, Venturi set 54, 64, 73, 75	X-60-1
D	Shaft (Discontinued—Not Available) 54, 64, 73, 75	236667
E	Screw, idle stop 54, 64, 73, 75	236554
F	Spring, idle stop (Replaced by 234208) 54, 64, 73, 75	236555
G	Arm, cast 54, 64, 73, 75	236670
H	Washer, split 54, 64, 73, 75	X-18-2
J	Plate (Discontinued—Not Available) 54, 64, 73, 75	236668
K	Seal, felt (Discontinued—Not Available) 54, 64, 73, 75	236669
L	Spring, idle adjustment 54, 64, 73, 75	234208
M	Screw, idle adjustment 54, 64, 73, 75	234206
N	Nut, load adjustment lock (Discontinued—Not Available) 54, 64, 73, 75	236553

5.6

K 321

CLUTCH **6**

Index Letter	Description Variation Number	Part Number
O	Screw, load adjustment 54, 64, 73, 75	236552
P	Lever, throttle 54, 64, 73, 75	275228
Q	Screw, throttle lever 54, 64, 73, 75	X-51-14



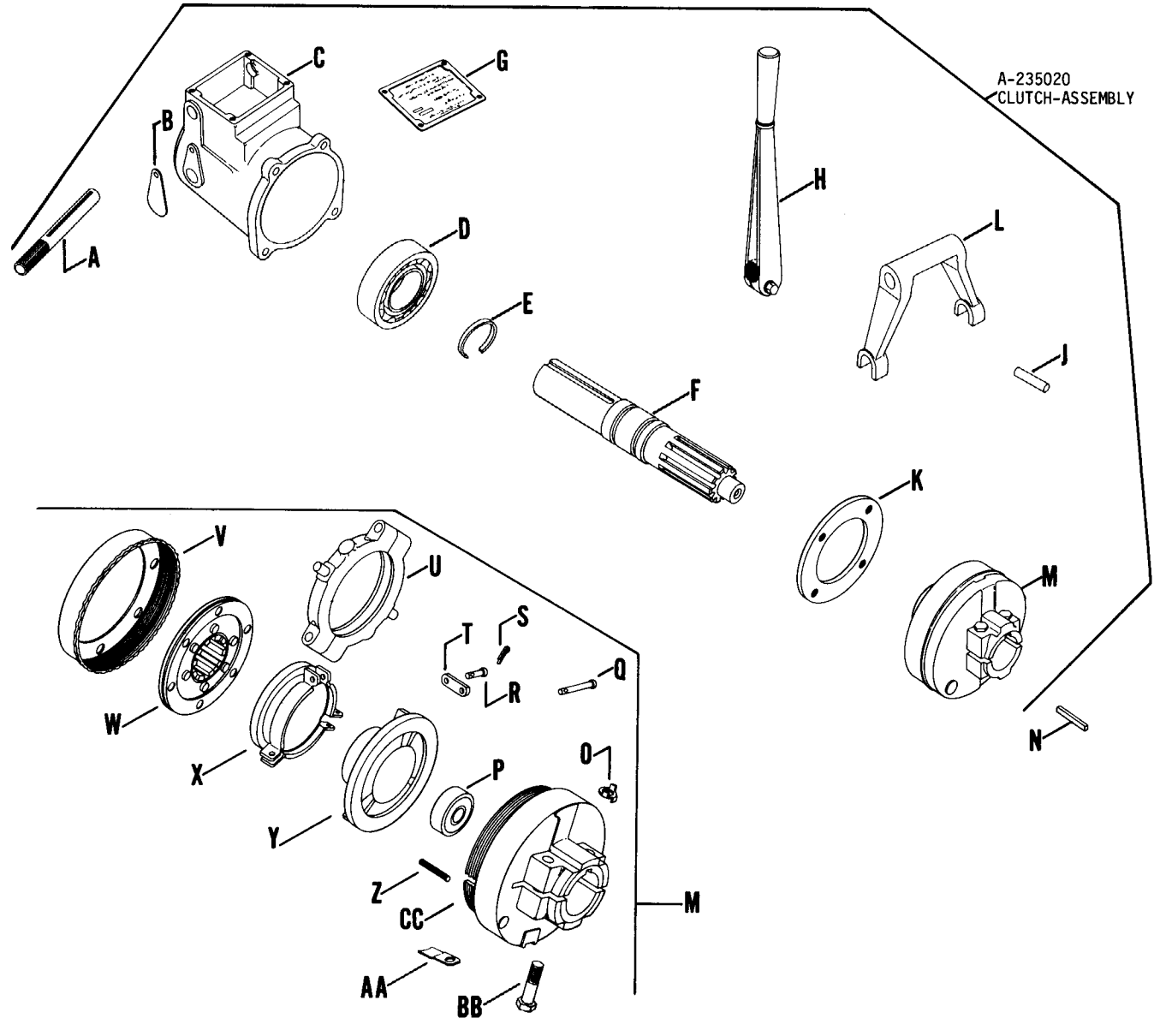
5 CARBURETOR

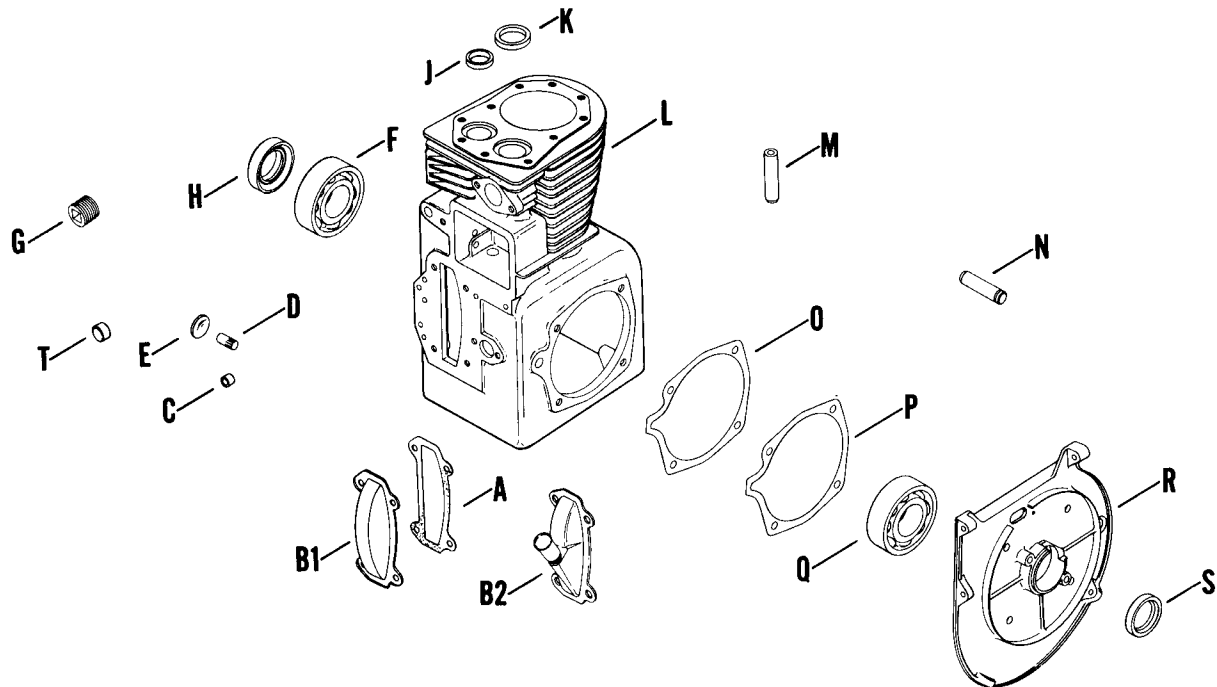
Index Letter	Description Variation Number	Part Number
A	Carburetor - assembly (Includes B thru J) 601	B-237821
B	Venturi 601	236666
C	Seal, felt (Discontinued—Not Available) 601	236669
D	Spring, idle adjustment 601	234208
E	Screw, idle adjustment 601	234206
F	Nut, load adjustment lock 601	236553
G	Screw, load adjustment 601	236552
H	Spring, throttle lever adjusting screw 601	232555
J	Screw, throttle lever adjusting 601	232556

Index Letter	Description Variation Number	Part Number
A	Shaft, yoke 1	274117
B	Cover, grease fitting 1	234088
C	Housing, power take-off 1	234086
D	Bearing, ball 1	234090
E	Ring, retaining 1	230305
F	Shaft, drive 1	234091
G	Cover, nameplate 1	234087
H	Lever, shifting 1	A-234026
J	Pin, roll (2) 1	274101
K	Plate, bearing retainer 1	234092
L	Yoke, clutch 1	A-234027
M	Clutch - assembly (Includes O thru CC) 1	A-234093
N	Key 1	X-286-11
O	Lock, screw (2) 1	234057
P	Bearing 1	212135
Q	Pin, link (long) (3) 1	234051
R	Pin, link (short) (3) 1	234052
S	Pin, cotter (6) 1	X-36-4
T	Link, connecting (6) 1	234050
U	Bearing, release 1	A-234066
V	Ring, adjusting 1	234068
W	Member, driven 1	A-234061
X	Sleeve, release 1	A-234064
Y	Plate, pressure 1	A-234062
Z	Spring (3) 1	234055
AA	Lock, adjusting 1	234060
BB	Screw, hex. hd. 5/16 - 18 1	234114
CC	Housing, clutch 1	234094

CLUTCH

A-235020
CLUTCH-ASSEMBLY

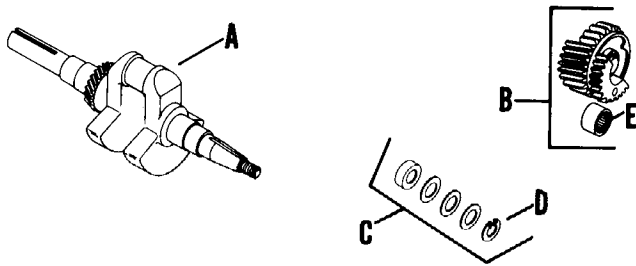




Index Letter	Description Variation Number	Part Number	Index Letter	Description Variation Number	Part Number
<p>Caution: When replacing cylinder blocks on Dynamic Balanced engines with serial no. 4110021 and earlier, order and install spacer kit no. 47 755 01—this is required due to change in boss height. Installation Instructions are included in the kit.</p> <p>Use stock of original part number before ordering replacement.</p>			E	Plug, expansion ALL	X-230-11
A	Gasket, camshaft cover ALL	235025	F	Bearing, rear ball ALL	235376
B1	Cover, camshaft ALL (except 207, 227, 260, 307, 309, 320)	235026	G	Plug, pipe 92, 153, 160, 163, 166, 175, 196, 204, 248, 254, 255, 256, 258, 309, 316, 999	X-75-31
B2	Cover, camshaft 207	237280		175, 248	X-75-17
C	Bearing 68, 86, 89, 91, 92, 115, 124, 125, 129, 135, 139, 151, 153, 160, 163, 164, 166, 175, 196, 198, 204, 207, 214, 216, 222, 227, 229, 240, 245, 250, 251, 253, 254, 255, 256, 257, 258, 259, 260, 261, 262, 272, 278, 279, 282, 287, 290, 297, 299, 307, 309, 312, 315, 316, 320, 998, 999	234866		Plug, pipe (2) 279	X-75-31
D	Shaft, governor ALL	235125-S	H	Seal, rear oil 68, 86, 89, 91, 92, 115, 124, 125, 129, 135, 139, 153, 160, 163, 164, 166, 175, 196, 198, 204, 207, 214, 216, 222, 227, 229, 240, 245, 248, 249, 250, 251, 253, 254, 255, 256, 257, 258, 259, 260, 261, 262, 272, 278, 279, 282, 287, 290, 297, 299, 307, 309, 312, 315, 316, 320, 998, 999	X-379-9
				Seal, rear oil (2) 151	X-379-9
			J	Insert, exhaust valve (Not used after engine spec suffix "A") ALL	230170
			K	Insert, intake & exhaust valve (2) (Use exhaust valve insert 230170 on engine spec suffix "A") ALL	230265

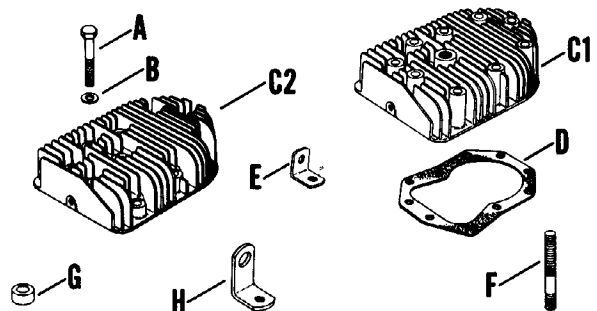
Index Letter	Description Variation Number	Part Number	Index Letter	Description Variation Number	Part Number
L	Cylinder block Service with either a Short block or Miniblock			56	B-236998
M	Guide (2) ALL	235007-S		63	B-237054
N	Shaft, stud (2) ALL	236559		66	B-237082
O	Gasket, bearing plate .010 (A.R.) ALL	235070		77	B-237512
P	Gasket, bearing plate ALL	235757		82	B-237630
Q	Bearing, front ball ALL	235376		89	47 014 06
R	Plate, bearing <i>(Replaced by 45 152 03)</i> 68, 86, 92, 115, 125, 163, 166, 175, 204, 207, 214, 222, 227, 240, 248, 249, 255, 258, 259, 260, 272, 278, 279	45 156 01		92	47 014 02
	Plate, bearing 89, 91, 124, 129, 135, 139, 151, 153, 160, 164, 196, 198, 216, 229, 245, 250, 251, 253, 254, 256, 257, 261, 262, 282, 287, 290, 297, 299, 307, 309, 312, 315, 316, 998, 999	45 156 02		46, 97	47 014 04
	Plate, bearing 320	45 156 03		100	47 014 09
S	Seal, front oil ALL	X-271-30		109, 122	45 014 06
T	Plug, cup (2) 290, 297, 307, 320	X-702-3		126	45 014 05
			B	Gear - assembly (2) <i>(Includes E)</i> 33, 36, 38, 39, 40, 44, 46, 48, 53, 56, 63, 66, 77, 82, 92, 100, 122 <i>Before Serial Number 9655326 Use</i> A-236507 <i>After Serial Number 9655325 Use</i> 47 042 01	
			B	Gear - assembly (2) <i>(Includes E)</i> 126	47 042 01
			C	Kit, spacer <i>(Includes D)</i> 33, 36, 38, 39, 40, 44, 46, 48, 53, 56, 63, 66, 77, 82, 92, 100, 122, 126	47 755 01
			D	Retainer (2) 33, 36, 38, 39, 40, 44, 46, 48, 53, 56, 63, 66, 77, 82, 92, 100, 122, 126	X-269-34
			E	Bearing, needle (2) 33, 36, 38, 39, 40, 44, 46, 48, 53, 56, 63, 66, 77, 82, 92, 100, 122 <i>Before Serial Number 9655326 Use</i> 236506 <i>After Serial Number 9655325 Use</i> 47 030 01	
			E	Bearing, needle (2) 126	47 030 01
			①	Standard	
			②	Standard-tapped	
			③	Generator Set	

8 CRANKSHAFT



Index Letter	Description Variation Number	Part Number
A	Crankshaft	
	33	B-236785
	36	B-236996
	38, 39, 91	B-237034
	40	B-236713 ①
	44	B-236722 ②
	48	B-237800
	53, 79	B-237104 ③

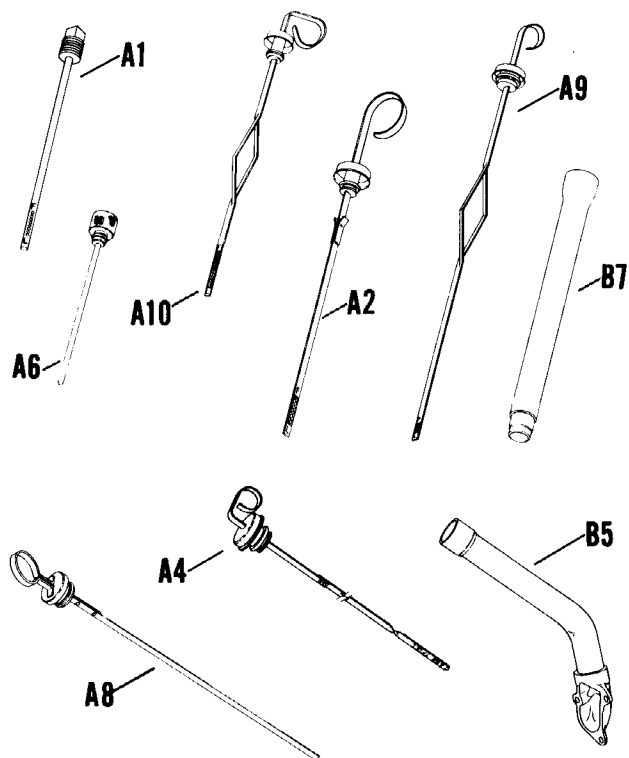
CYLINDER HEAD



Index Letter	Description Variation Number	Part Number	Index Letter	Description Variation Number	Part Number
Use stock of original part number before ordering replacement.					
A	Screw, hex. hd. 3/8 - 16 x 2-1/2 (9) <i>(Use variation no. 27 after engine serial no. 3184999)</i> 7, 12	235175	C1	Head, cylinder <i>(Use 237828 after engine serial no. 3184999)</i> 12, 490	237830
	Screw, hex. hd. 3/8 - 16 x 2-1/2 (8) 14, 85	235175		Head, cylinder 14, 16, 17, 23	237830
	Screw, hex. hd. (9) 16, 17, 61, 69	235175	C2	Head, cylinder <i>(Use 237670 on engine spec suffix "C" & later)</i> 20, 26, 27, 30, 35, 37, 41, 46	237828
	Screw, hex. hd. (7) 23	235175		Head, cylinder 53, 55, 57, 58, 59, 63, 68, 71, 72, 81, 82, 84, 88, 90, 92, 95	237670
	Screw, hex. hd. 3/8 - 16 x 1-1/2 (9) 20, 58, 76	270158		70, 76	237714
	Screw, hex. hd. (4) 26, 72	270158	D	Gasket, cylinder 7, 12, 14, 16, 17, 20, 23, 26, 27, 30, 35, 37, 41, 45, 46, 53, 55, 57, 58, 59, 61, 63, 68, 69, 70, 71, 72, 76, 81, 82, 84, 85, 88, 90, 92, 95, 490	237658
	Screw, hex. hd. (3) 35, 63, 68	270158	E	Strap, lifting <i>(Use 236742 after engine serial no. 3184999)</i> 7, 12, 14, 16, 17, 23, 26, 35, 41, 61, 63, 68, 69, 81, 85, 490	235748
	Screw, hex. hd. (5) 37, 71, 92, 95	270158		Strap, lifting <i>(Use 235748 prior to engine serial no. 3185000)</i> 27, 37, 45, 46, 55, 57, 59, 70, 71, 82	236742
	Screw, hex. hd. (7) 41, 59, 84, 90	270158		Strap, lifting 72	235748
	Screw, hex. hd. (6) 46, 55, 81, 82	270158		Strap, lifting <i>(Use 236742 prior to engine serial no. 9271898)</i> 90, 92	47 445 01
	Screw, hex. hd. (2) 88	270158		Strap, lifting 95	47 445 01
	Screw, hex. hd. 3/8 - 16 x 1-3/4 <i>(Use variation no. 12 prior to engine serial no. 3185000)</i> 27, 30, 45, 46, 55, 57, 70, 82, 84	270721	F	Stud <i>(Replaced by 237522)</i> 14, 30	235679
	Screw, hex. hd. 3/8-16 x 2-5/8 85	275186		Stud (2) 23	235679
	Screw, hex. hd. 3/8 - 16 x 1-1/2 (8) <i>(Use variation no. 12 prior to engine serial no. 3185000)</i> 27, 30, 45, 53, 57, 70	270158		Stud (5) 26, 72	237277
	Screw, hex. hd. 3/8 - 16 x 1-3/4 71, 90, 92	270721		Stud (6) 35, 63, 68	237277
	Screw, hex. hd. 3/8 - 16 x 1-1/2 (6) <i>(Use variation no. 16 prior to engine serial no. 3185000)</i> 490	270158		Stud (3) 37, 71, 81	237277
	Screw, hex. hd. 3/8 - 16 x 1-3/4 <i>(Not used prior to engine serial no. 3185000)</i> 490	270721		Stud (2) 41	237277
B	Washer (10) 7, 12, 14, 16, 17, 23, 27, 37, 45, 46, 55, 57, 61, 69, 70, 85, 90, 95, 490	270889		Stud (3) 92	237522
	Washer (9) 20, 26, 30, 35, 41, 53, 58, 59, 68, 72, 76, 81, 82, 88	270889		Stud (2) 46, 55, 59, 82	237522
	Washer (12) 63	270889		Stud 53, 84	237522
	Washer (13) 71, 92	270889		Stud (4) 95	237522
	Washer (11) 84	270889		Stud (7) 88	237277
				Stud 90	237277

Index Letter	Description Variation Number	Part Number	Index Letter	Description Variation Number	Part Number
	Stud (2) (Not used prior to engine serial no. 3185000) 490	237522	A1	Dipstick 2-1/4" blade 1, 22	A-235092
G	Spacer 13/32 I.D. x 5/8 O.D. x 23/32 (5) 26, 72	X-400-71	A2	Dipstick 9-17/64" blade 17	236837
	Spacer (4) 35, 63	X-400-71		Dipstick 4-1/2" blade 22, 40	A-236640
	Spacer (3) 37, 71, 92	X-400-71		Dipstick 10" blade 31	237015
	Spacer (2) 41, 46, 55, 59	X-400-71		Dipstick 2-61/64" blade 43	237552
	Spacer (6) 68	X-400-71	A3	Dipstick 4-3/8" blade 28	237013
	Spacer 81, 84, 95	X-400-71	A4	Dipstick 14-1/2" blade 30	237052
	Spacer (7) 88	X-400-71		Dipstick 10-17/64" blade 37	237140
	Spacer 13/32 I.D. x 5/8 O.D. x 1/2 (2) 81, 82	X-400-91	A5	Dipstick 4-5/16" blade 38	A-237151
	Spacer 90	X-400-91	A6	Dipstick 5-3/4" blade 40	A-237282
	Spacer 13/32 I.D. x 5/8 O.D. x 23/32 (2) (Not used prior to engine serial no. 3185000) 490	X-400-71	A7	Dipstick 2-1/2" blade 41	A-235427
H	Bracket, baffle support 84	47 126 04	A8	Dipstick 7-13/16" blade 44	237620
				Dipstick 13-55/64" blade 53, 55	47 038 04
				Dipstick 15-7/64" blade 54	47 038 03
			A9	Dipstick 8-9/16" blade 46	237654
				48	237932
			A10	Dipstick 16-21/64" blade 52	47 038 05
			A11	Dipstick 3-31/32" blade 56	47 272 01
			A12	Dipstick 13-13/16" blade 57	45 272 03
			B1	Tube, oil fill 4-1/16" 17, 31, 46	236960
			B2	Tube, oil fill 7-1/2" 22	275875
			B3	Tube, oil fill 1-13/16" 28, 43	237012
			B4	Tube, oil fill 9-11/32" 30, 57	236964
			B5	Tube, oil fill 4-1/4" 37, 47	237139
			B6	Tube, oil fill 6-21/32" 40	235895
			B7	Tube, oil fill 8-5/8" 52	47 123 03
			B8	Tube, oil fill 9" 53, 54, 55	47 180 03
			B9	Tube, oil fill 3-11/16" 56	45 538 01
			C1	Adapter, oil fill 38	236886
			C2	Adapter, oil fill 41	235428

10 DIPSTICK

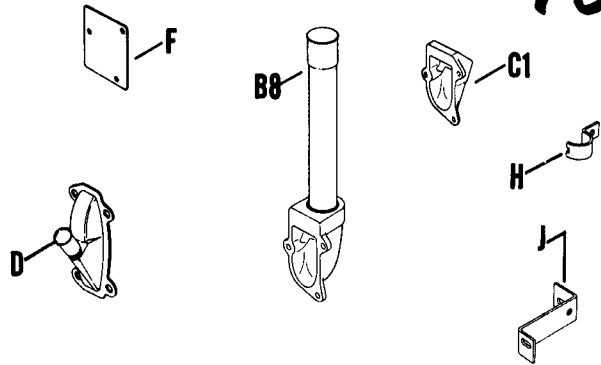


10.11

K 321

Index Letter	Description Variation Number	Part Number
D	Cover, camshaft 40	237280
	44, 48	237623
E	Gasket 17, 30, 31, 37, 38, 46, 47, 50, 53, 54, 55, 57	237064
F	Plate, oil fill pad 599	237262
G	Wire, bail 41	235429
H	Clamp 55	X-785-1
J	Bracket, tube (Use after engine serial no. 7158393) 52, 55	47 126 11

DIPSTICK 10

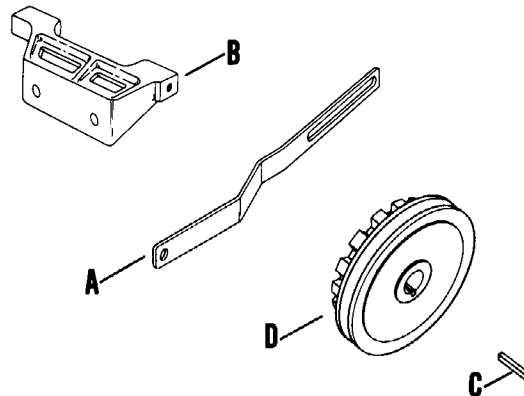


ELECTRIC START 11

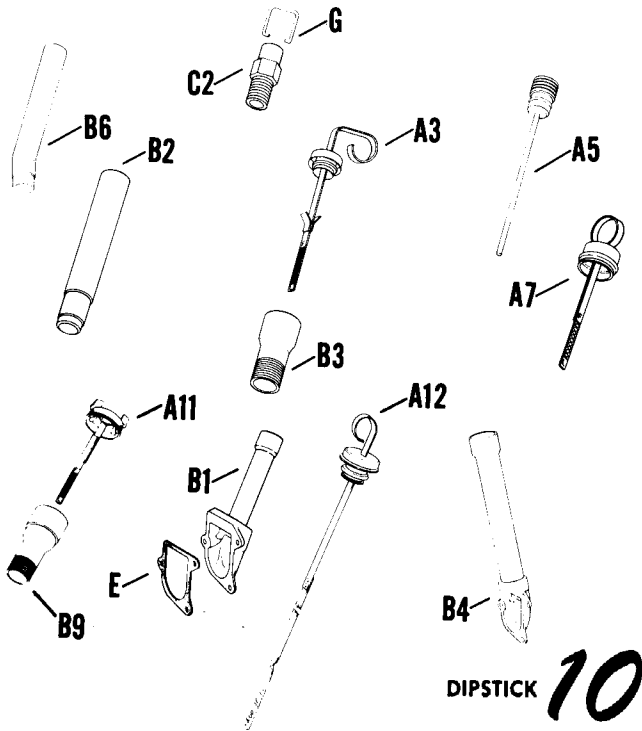
Index Letter	Description Variation Number	Part Number
--------------	---------------------------------	-------------

A	Bracket, starter adjusting 28	231273
B	Bracket, starter support 28	235373
C	Key, square 28	242168
D	Pulley, drive 28	231591

MOTOR GENERATOR - 12 VOLT

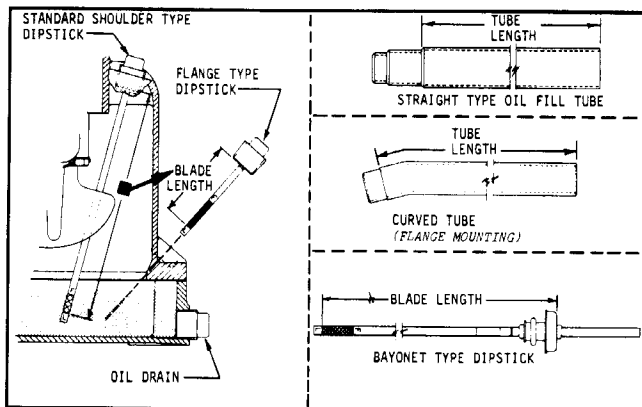


ELECTRIC START 11



DIPSTICK 10

DIPSTICK AND OIL FILL TUBE DETAILS



BENDIX DRIVE

A number of changes have been made on American Bosch starting motors. When major changes were made, Bosch changed their model designation and Kohler in turn, changed the starter part number and also established an engine serial number break to indicate when the new model was used. The chart below lists the starter supersessions by both Bosch model and Kohler part number. Following the chart is a parts breakdown of each starter with the starters listed in numerical sequence by Kohler part number.

The Bosch model number is found on the end cap of each starter. If the model number can be obtained, locate the corresponding Kohler part number in the chart then find the required replacement part numbers under the parts breakdown for that Kohler starter number.

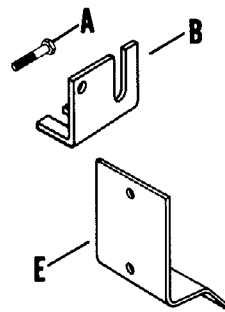
If the Bosch model cannot be determined, check the serial number of the engine to determine which starter it uses. For example, if starter variation 30 is called for and the engine serial number is E-225390, the chart indicates the Bosch SME12A13 or Kohler A-236292 starter. If the serial number had been E-228055, the chart indicates that the engine used the SMH12A3 or Kohler A-237132 starter.

Variations	Kohler Part No.	American Bosch Part No.	Replaced by		Effective at Serial No.
			Kohler Part No.	Am. Bosch No.	
30, 43, 490, 491, 496, 497, 498	A-236292	SME12A13	A-237132	SMH12A3	F-226948
	A-237132	SMH12A3	B-237132	SMH12A3	*
	B-237132	SMH12A3	A-237511	SMH12A5 or 05995-21-M030SM	3173782
37, 40, 47, 50, 53, 488, 492, 493, 495, 503, 511	A-236396	SME12A11	A-237131	SMH12A2	E-180960
	A-237131	SMH12A2	A-237534	SMH12A4 or 05994-24-M030SM	3224986
54, 489, 494, 507, 508, 510	A-237511	SMH12A5 or 05995-21-M030SM			
55	A-237510	SMH12A2	A-237534	SMH12A4 or 05994-24-M030SM	3224986
57, 58, 62, 500, 501, 502	A-237751	SMH12A102	45 098 01	SMH12A201	4259925
	45 098 01	SMH12A201	45 098 03	SMH12A201	7144003
	45 098 03	SMH12A201	45 098 05	12507-29-M030SM	7333352
	45 098 05	12507-29-M030SM	45 098 07	16359-23-M030SM	8193133
499, 511	A-237534	SMH12A4 or 05994-24-M030SM			
69, 71, 505	45 098 06	14925-27-M030SM			

*Dust shield kit 237555 was added to A-237132 starter which changes the starter number to B-237132. Dust shield kit includes stop gear spacer, shield retainer & dust shield.

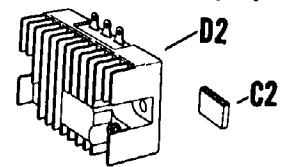
Index Letter	Description Variation Number	Part Number
	Use stock of original part number before ordering replacement.	
A	Screw, starter mounting (2) (Use 45 111 01 when fuel tank bracket is mounted with starter mounting screws) 30, 43, 54, 489, 490, 491, 494, 496, 497, 498, 510	234948
	Screw, starter mounting (2) (Use 234379 on engine serial no. E-180960 thru 3224985) 37, 40, 47, 50, 53, 488, 492, 493, 495, 503, 511	234948
	Screw, starter mounting (2) (Use 234948 after engine serial no. 3224985) 55	234379
	Screw, starter mounting (2) 57, 58, 62, 63, 64, 69, 71, 499, 500, 501, 502, 504, 505, 506, 509	234948
	Screw, starter mounting (2) (Use 45 111 01 when fuel tank bracket is mounted with starter mounting screws) 507, 508	234380

BENDIX DRIVE

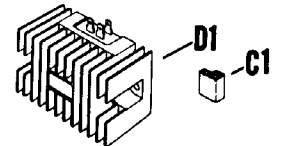


10 AMP SYSTEM

ELECTRIC START 11

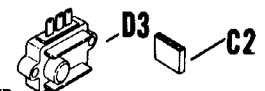


15 AMP SYSTEM



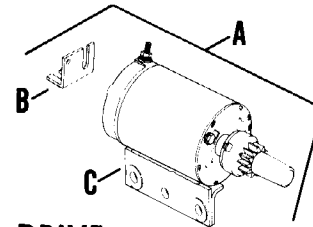
NOTE
TERMINAL
ARRANGEMENT

15 AMP SYSTEM
(QUIET MODELS)



Index Letter	Description Variation Number	Part Number
B	Bracket, support (Use 236737 prior to engine serial no. E-227420) 30, 54, 489, 490, 491, 494, 496, 497, 498, 507, 508, 510	237239
C1	Connector - 15 amp (Use with 237335 rectifier) 55, 57, 489, 490, 491, 492, 493, 494, 499, 502, 503	237429
C2	Connector - 10 amp (Use with 234279 or 41 403 01 rectifier) 488, 495, 496, 497, 498, 500, 501, 507, 509, 510, 511	236602
D1	Rectifier-regulator (15 amp) 55, 57, 489, 490, 491, 492, 493, 494, 499, 502, 503	237335
D2	Rectifier-regulator (10 amp) 488, 495, 496, 497, 498	234279
D3	Rectifier-regulator (15 amp) 500, 501 71, 504, 505, 506, 507, 508, 509, 510, 511	41 403 01 41 403 05
E	Bracket, regulator 491	47 126 01
	Bracket, regulator (Replaced by 47 126 01) 492, 494, 495, 496, 497	237045

Index Letter	Description Variation Number	Part Number
D	Washer, spacer .010 (A.R.)	236568
E	Drive	236562
F	Plate D.E.	236627
G	Washer, split-thru bolt	236574
H	Bolt, thru (2)	236577
J	Cap-assembly C.E.	236628
K	Brush and spring	236576
L	Nut, terminal lead (2)	236575
M	Washer, split (2)	236594
N	Washer, spacing	236573
O	Washer, insulator	236572



ELECTRIC START

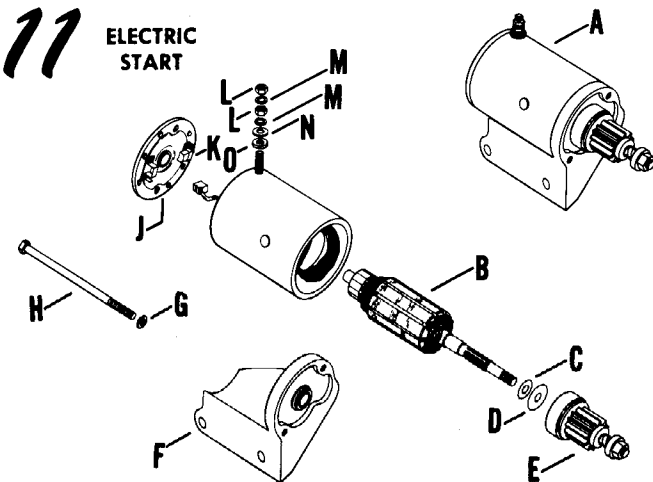
11

BENDIX DRIVE

Index Letter	Description Variation Number	Part Number
A	Starter - assembly (low mount) (Includes B & C)	A-236292-S
B	Bracket, starter support	237239
C	Starter - assembly (See pg. 29 for breakdown)	A-237511



BENDIX DRIVE



ELECTRIC START

11

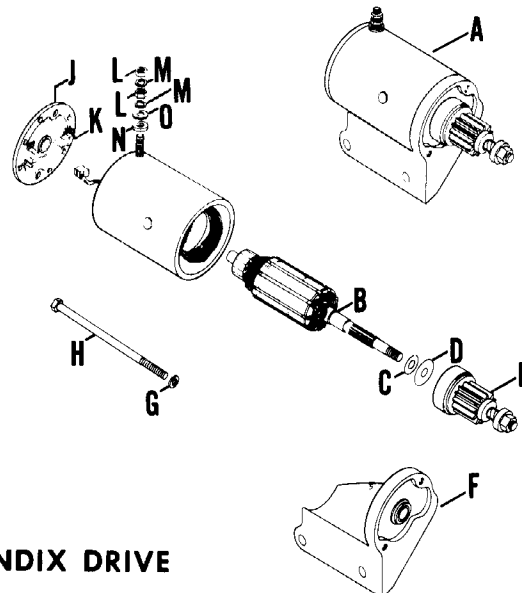
Index Letter	Description Variation Number	Part Number
--------------	---------------------------------	-------------

Use stock of original part number before ordering replacement.

A	Starter - assembly (low mount) (SME12A13) (Includes B thru O) (Replaced by A-236292-S kit)	A-236292
B	Armature	236571
C	Washer, spacer .005	236570

ELECTRIC START

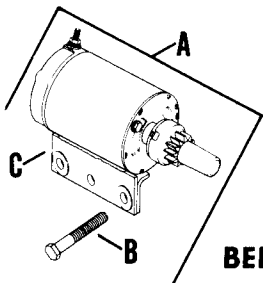
11



BENDIX DRIVE

Index Letter	Description Variation Number	Part Number
Use stock of original part number before ordering replacement		
A	Starter - assembly (high mount) (SME12A11) (Includes B thru O) (Replaced by A-236396-S kit)	A-236396
B	Armature	236571
C	Washer, spacer .005	236570
D	Washer, spacer .010 (A.R.)	236568
E	Drive	236562
F	Kit, starter bracket	237225
G	Washer, split-thru bolt	236574
H	Bolt, thru (2)	236577
J	Cap - assembly C.E.	236564
K	Brush and spring	236576
L	Nut, terminal lead (2)	236575
M	Washer, split (2)	236594
N	Washer, spacing	236573
O	Washer, insulator	236572

11 ELECTRIC START

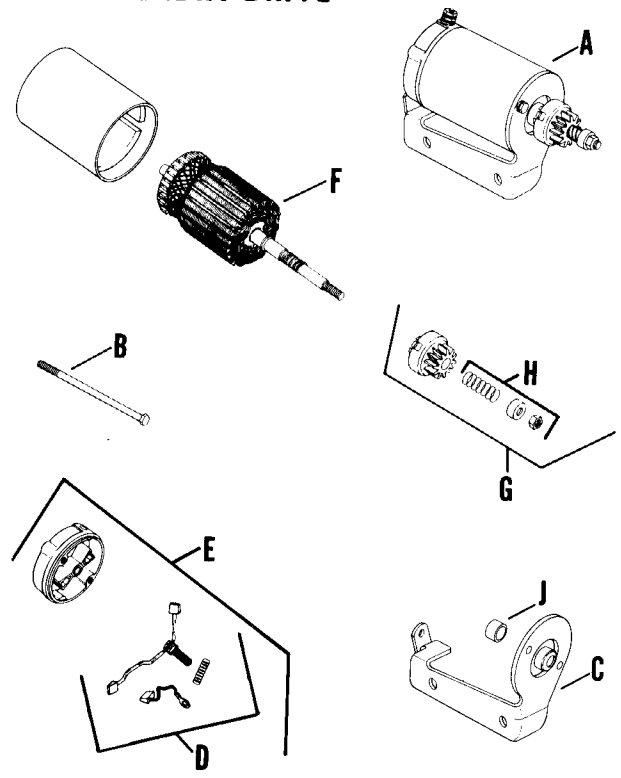


BENDIX DRIVE

Index Letter	Description Variation Number	Part Number
A	Starter - assembly (high mount) (Includes B & C)	A-236396-S
B	Screw, H.C. (2) (High mount starter for J. Deere when 236423 bracket is used)	234380
B	Screw, H.C. (2) (High mount starter only mounting)	234948
C	Starter - assembly (See pg. 29 grid C1 for breakdown)	A-237534

11 ELECTRIC START

BENDIX DRIVE



Index Letter	Description Variation Number	Part Number
--------------	------------------------------	-------------

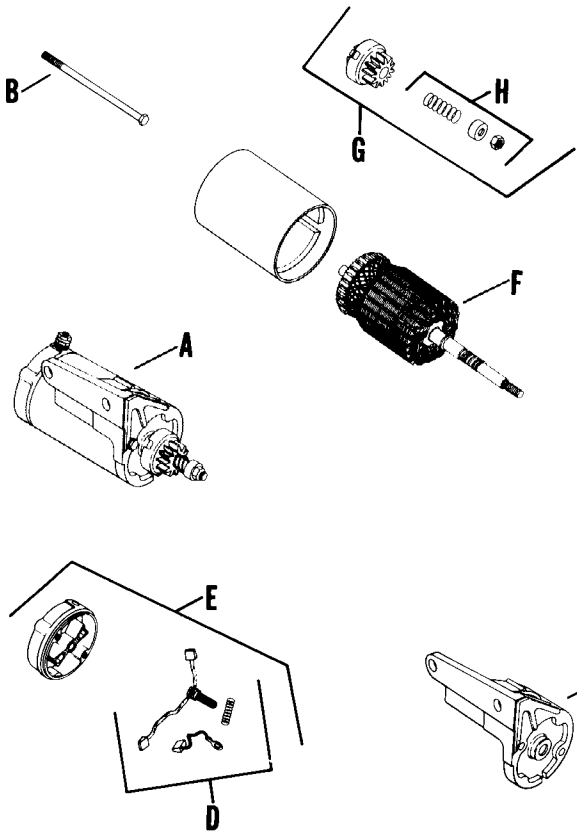
Use stock of original part number before ordering replacement.

A	Starter - assembly (high mount) (SMH12A2) (includes B thru J) (Replaced by A-237534)	A-237131
B	Bolt, thru w/washer (2)	237358
C	Bracket and cap D.E.	237362
D	Kit, brush	48 755 15
E	Cap, commutator end	48 227 04
F	Armature	47 170 01
G	Kit, drive (Includes H)	47 755 07
H	Kit, drive parts	47 755 13
J	Bearing	41 030 01

11

K 321

11 ELECTRIC START



BENDIX DRIVE

Index Letter	Description Variation Number	Part Number
--------------	------------------------------	-------------

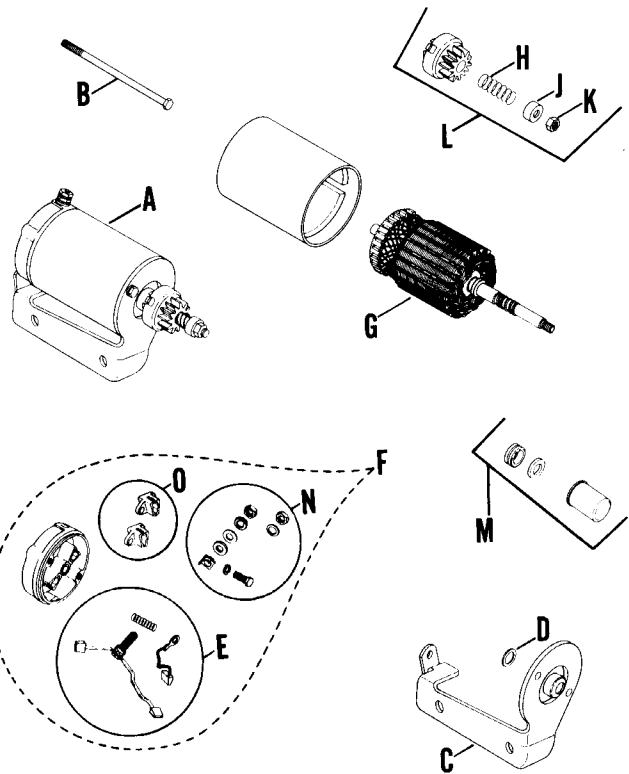
Use stock of original part number before ordering replacement.

A	Starter - assembly (low mount) (SMH12A3) (Includes B thru H) (Replaced by A-237511)	A-237132
B	Bolt, thru w/washer (2)	237646
C	Bracket and cap D.E.	237361
D	Kit, brush	48 755 15
E	Cap, commutator end	48 227 04
F	Armature	47 170 01
G	Kit, drive (Includes H)	47 755 07
H	Kit, drive parts	47 755 13

Index Letter	Description Variation Number	Part Number
--------------	------------------------------	-------------

Use stock of original part number before ordering replacement.

A	Starter - assembly (high mount) (SMH12A4) (Includes B thru O) (Replaced by A-237534)	A-237510
B	Bolt, thru w/washer (2)	237358
C	Bracket and cap D.E.	237362
D	Washer, armature thrust	237363
E	Kit, brush and spring	237367
F	Kit, commutator cap (Includes E, N & O)	237368
G	Armature	237364
H	Spring, anti-drift	237357
J	Spacer, stop gear (Starters with dust shield use 237645)	237356
K	Nut, stop	X-101-4
L	Kit, drive (Includes H, J & K)	237370
M	Kit, dust shield	237555
N	Kit, hardware	237761
O	Kit, brush holder	237762

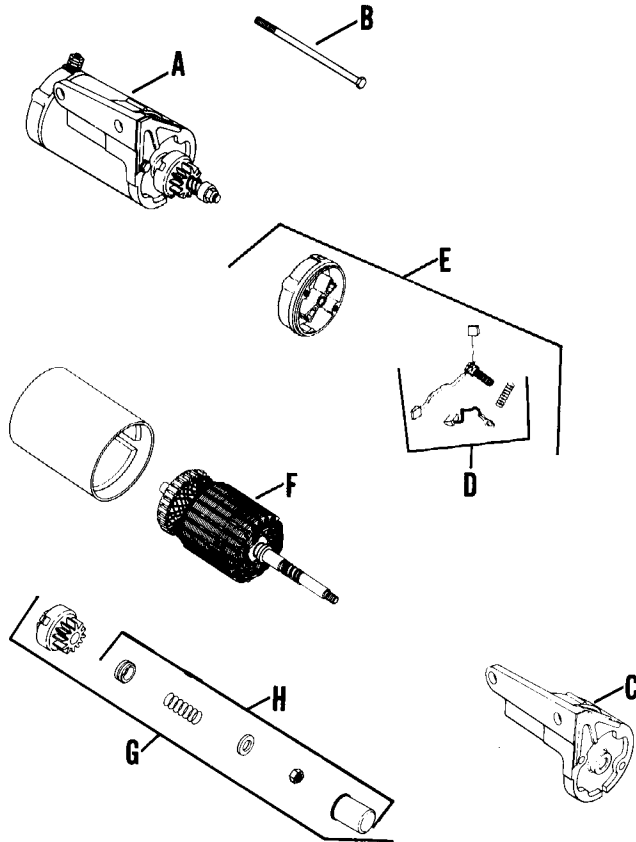


BENDIX DRIVE

ELECTRIC START

11

11 ELECTRIC START



BENDIX DRIVE

Index Letter	Description Variation Number	Part Number
--------------	------------------------------	-------------

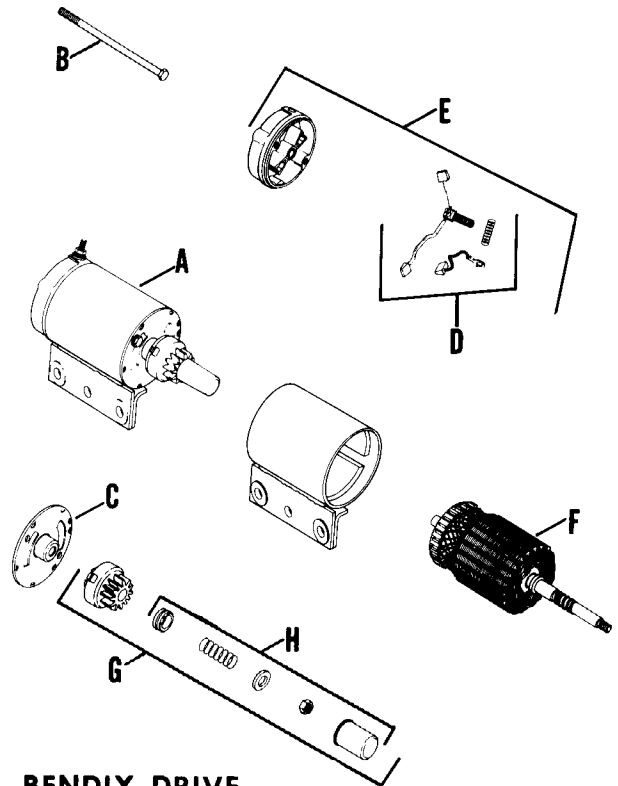
Use stock of original part number before ordering replacement.

A	Starter - assembly (low mount) (SMH12A5 or 05995-21-M030SM) (Includes B thru H)	A-237511
B	Bolt, thru w/washer (2)	237646
C	Bracket and cap D.E.	237361
D	Kit, brush	48 755 15
E	Cap, commutator end	48 227 04
F	Armature	47 170 01
G	Kit, drive (Includes H)	47 755 07
H	Kit, drive parts	47 755 13

Index Letter	Description Variation Number	Part Number
--------------	------------------------------	-------------

Use stock of original part number before ordering replacement.

A	Starter - assembly (high mount) (SMH12A4 or 05994-24-M030SM) (Includes B thru H)	A-237534
B	Bolt, thru w/washer (2)	237649
C	Cap, drive end	237650
D	Kit, brush	48 755 15
E	Cap, commutator end	48 227 04
F	Armature	47 170 01
G	Kit, drive (Includes H)	47 755 07
H	Kit, drive parts	47 755 13



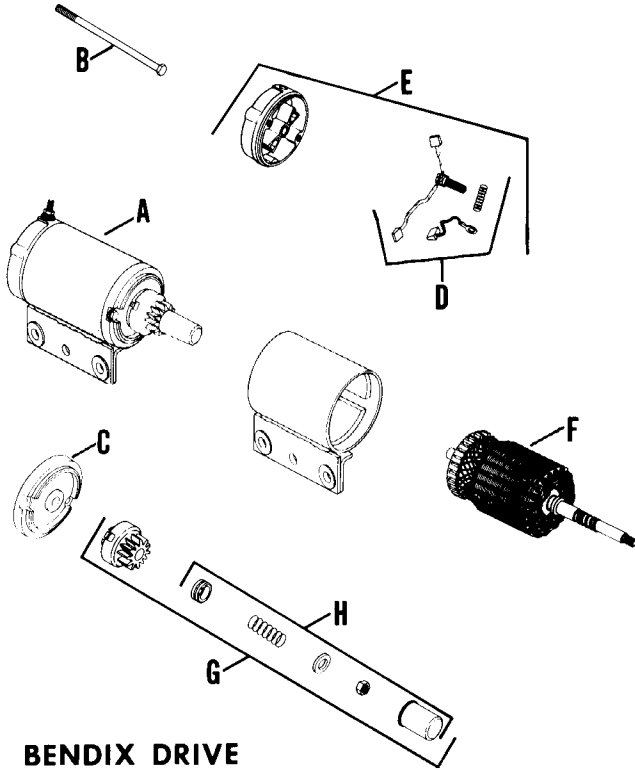
BENDIX DRIVE

ELECTRIC START 11

11

K 321

11 ELECTRIC START



BENDIX DRIVE

Index Letter	Description Variation Number	Part Number
--------------	------------------------------	-------------

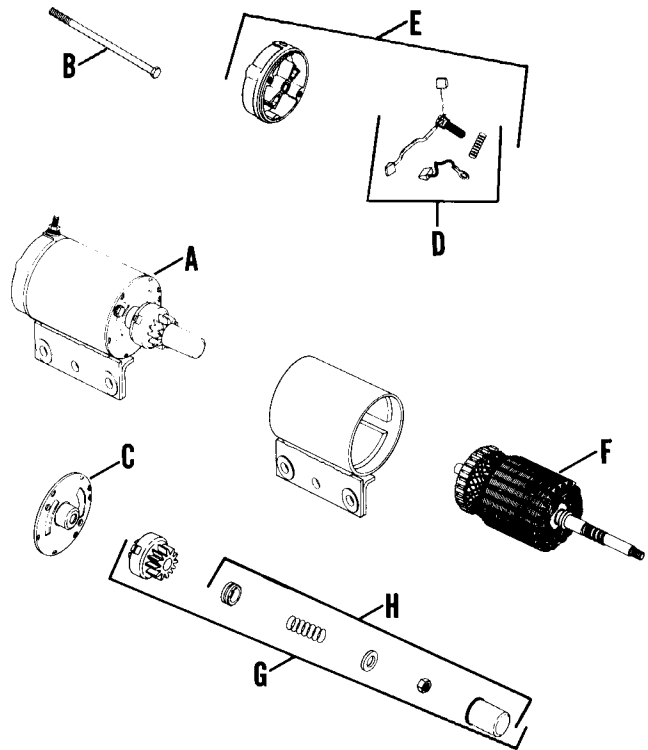
Use stock of original part number before ordering replacement.

A	Starter - assembly (high mount) (SMH12A102) (includes B thru H) (Replaced by 45 098 05)	A-237751
B	Bolt, thru w/washer (2)	237758
C	Cap, drive end	237760
D	Kit, brush	48 755 15
E	Cap, commutator end	48 227 04
F	Armature	237759
G	Kit, drive (Includes H)	45 755 03
H	Kit, drive parts	47 755 13

Index Letter	Description Variation Number	Part Number
--------------	------------------------------	-------------

Use stock of original part number before ordering replacement.

A	Starter - assembly (high mount) (SMH12A201) (Includes B thru H) (Replaced by 45 098 03)	45 098 01
B	Bolt, thru w/washer (2)	237649
C	Cap, drive end	237650
D	Kit, brush	48 755 15
E	Cap, commutator end	48 227 04
F	Kit, armature	45 755 09
G	Kit, drive (Includes H)	45 755 03

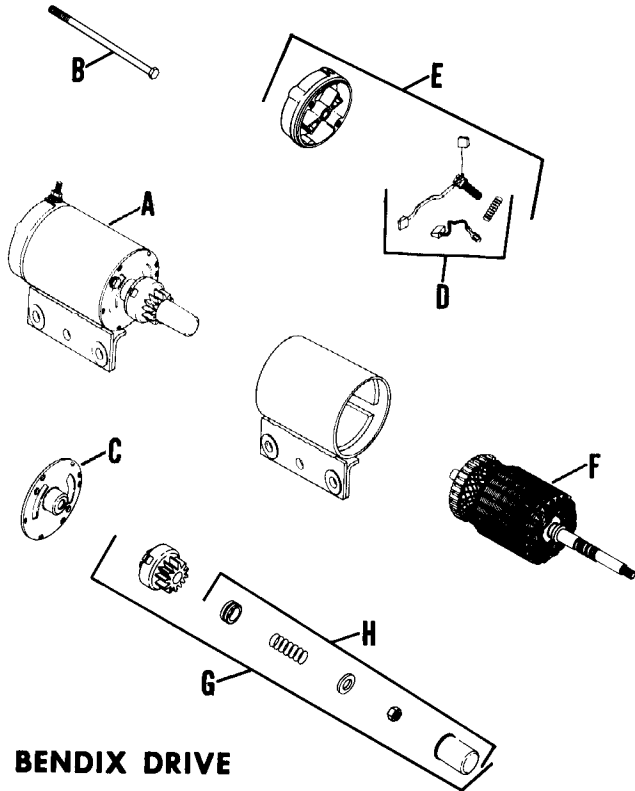


BENDIX DRIVE

ELECTRIC START

11

11 ELECTRIC START



BENDIX DRIVE

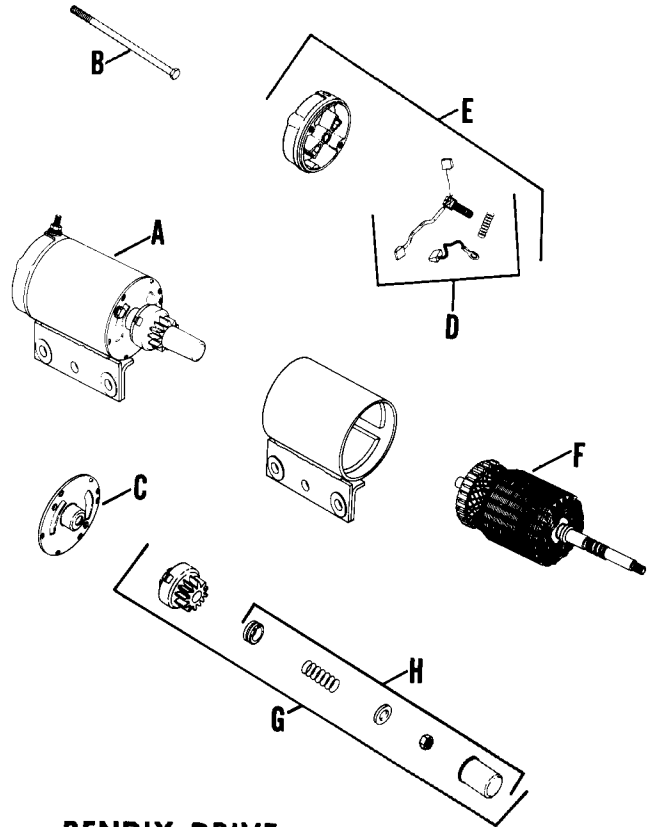
Index Letter	Description Variation Number	Part Number
--------------	------------------------------	-------------

Use stock of original part number before ordering replacement.

A	Starter - assembly (high mount) (SMH12A201) (Includes B thru H) (Replaced by 45 098 05)	45 098 03
B	Bolt, thru w/washer (2)	237649
C	Cap, drive end	237650
D	Kit, brush	48 755 15
E	Cap, commutator end	48 227 04
F	Kit, armature	45 755 09
G	Kit, drive (Includes H)	45 755 03
H	Kit, drive parts	47 755 13

Index Letter	Description Variation Number	Part Number
--------------	------------------------------	-------------

A	Starter - assembly (high mount) (12507-29-M030SM) (Includes B thru H)	45 098 05
B	Bolt, thru w/washer (2)	237649
C	Cap, drive end	237650
D	Kit, brush	48 755 15
E	Cap, commutator end	48 227 04
F	Armature	45 170 02
G	Kit, drive (Includes H)	47 755 07
H	Kit, drive parts	47 755 13



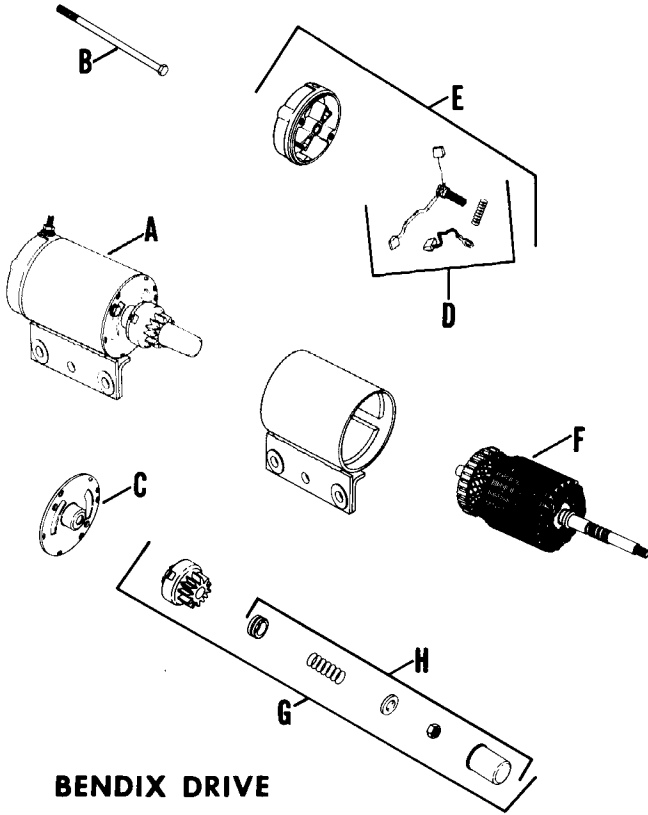
BENDIX DRIVE

ELECTRIC START **11**

11

K 321

11 ELECTRIC START



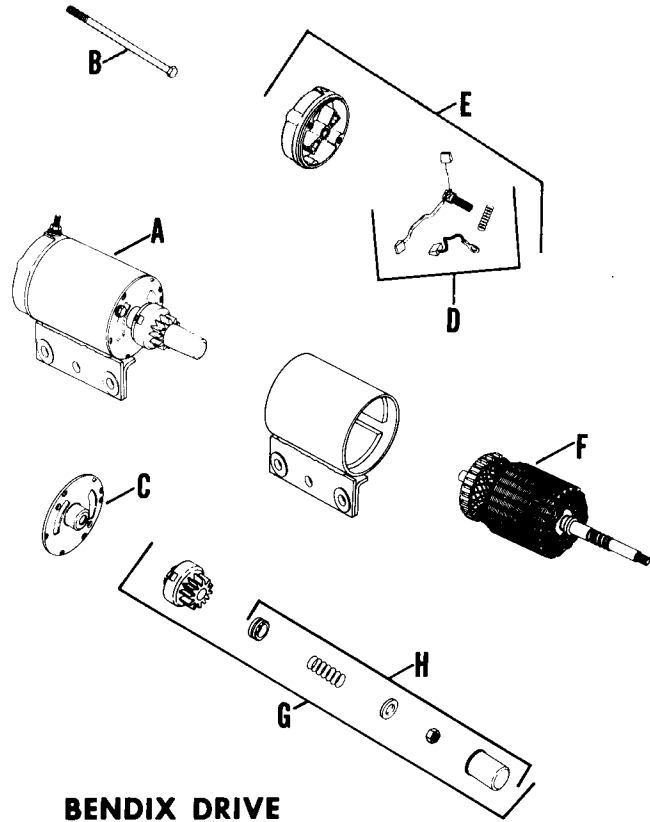
BENDIX DRIVE

Index Letter	Description Variation Number	Part Number
--------------	------------------------------	-------------

A	Starter - assembly (high mount) (14925-27-M030SM) (Includes B thru H)	45 098 06
B	Bolt, thru w/washer (2)	237649
C	Cap, drive end	237650
D	Kit, brush	48 755 15
E	Cap, commutator end	48 227 04
F	Armature	45 170 02
G	Kit, drive (Includes H)	47 749 02
H	Kit, drive parts	47 755 13

Index Letter	Description Variation Number	Part Number
--------------	------------------------------	-------------

A	Starter - assembly (Includes B thru H)	45 098 07
B	Bolt, thru w/washer (2)	237649
C	Cap, drive end	237650
D	Kit, brush	48 755 15
E	Cap, commutator end	48 227 04
F	Armature	45 170 02
G	Kit, drive (Includes H)	47 755 07
H	Kit, drive parts	47 755 13

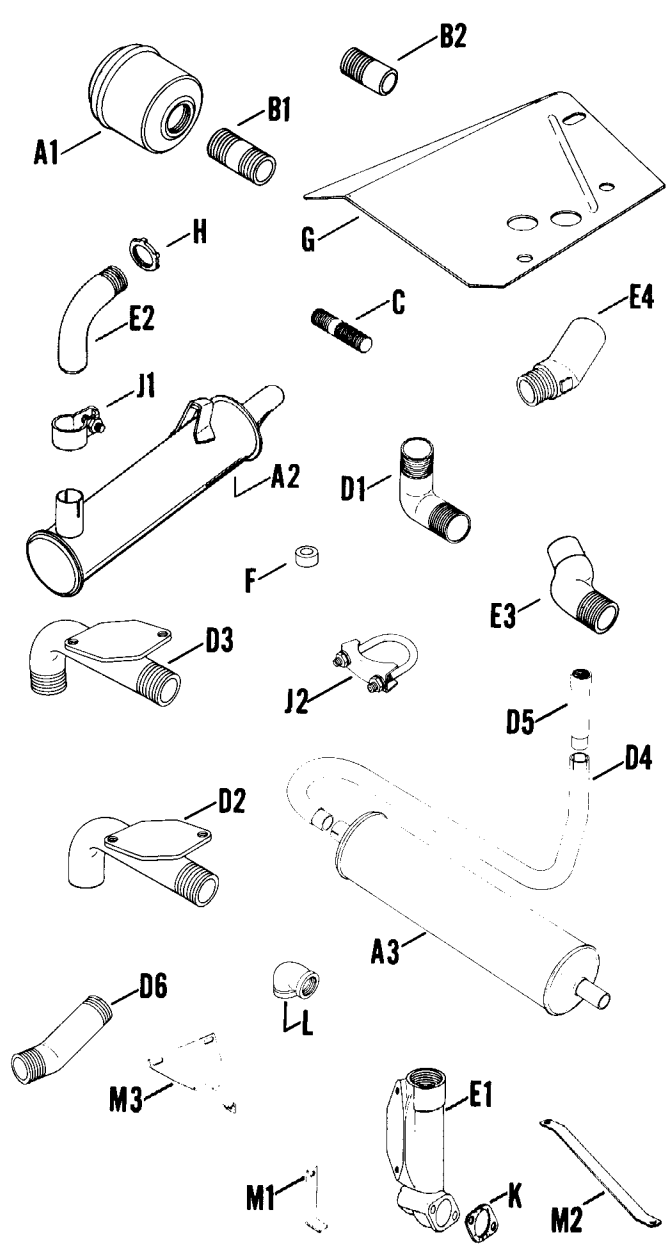


BENDIX DRIVE

ELECTRIC START

11

12 EXHAUST



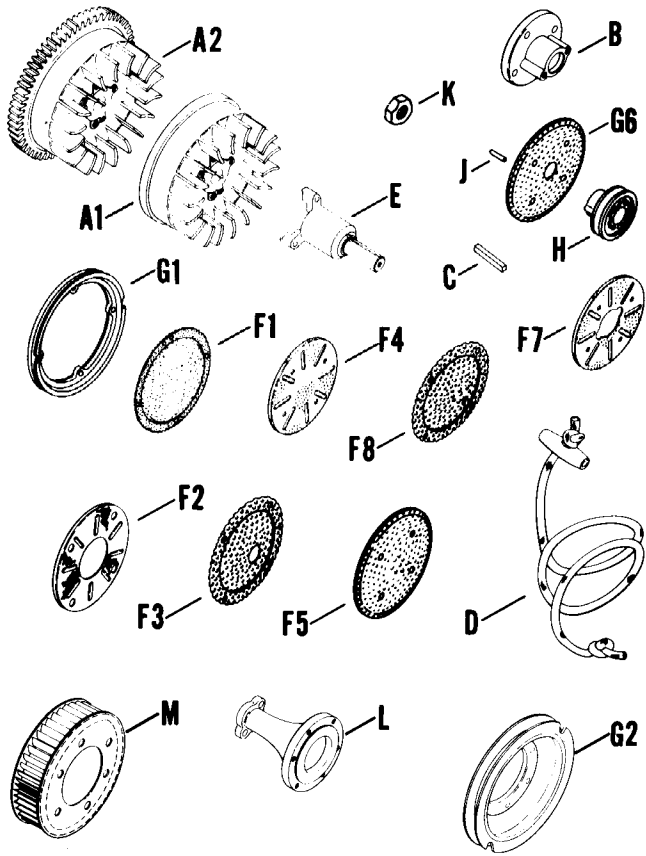
Index Letter	Description Variation Number	Part Number
B1	Pipe 1 I.P. x 3 1, 40, 499	X-218-22
	Pipe 1 I.P. x 9 28	X-218-5
	Pipe 1 I.P. x 4-1/2 28	X-218-10
B2	Pipe 1 I.P. x 2-1/4 27	X-229-11
	Pipe 1 I.P. x 2-1/2 33	X-229-1
C	Stud (2) 3	235899
	Stud (2) 41	232810
D1	Pipe, exhaust 19	231820
D2	Pipe, exhaust 23	237115
D3	Pipe, exhaust 24, 496, 498	237129
D4	Pipe, exhaust 496, 498	237603
D5	Pipe, exhaust 496, 498	237608
D6	Pipe, exhaust 5, 497	235194
E1	Elbow, exhaust 2, 28, 31	235166
E2	Elbow, exhaust 14, 25, 34	235692
E3	Elbow, exhaust 39	47 054 01
E4	Elbow, exhaust 42	47 054 02
F	Spacer 25, 34	X-400-72
G	Baffle, heat 25, 34	237679
H	Nut, lock 5, 14, 19, 23, 24, 25, 34, 39, 42, 496, 497, 498	AC-1536
J1	Clamp, muffler 25, 34	237543
J2	Clamp, muffler (3) 496, 498	237548
K	Gasket, exhaust 2, 28, 31	235122
L	Elbow, street 28	X-215-15
M1	Bracket, muffler mounting 496, 498	237609
M2	Bracket, muffler 496, 498	237642
M3	Bracket, muffler mounting 498	237605

Index Letter	Description Variation Number	Part Number
--------------	---------------------------------	-------------

Use stock of original part number before ordering replacement.

A1	Muffler 1, 5, 497, 499	275679
A2	Muffler 25, 34	237550
A3	Muffler 496, 498	237485

13 FLYWHEEL



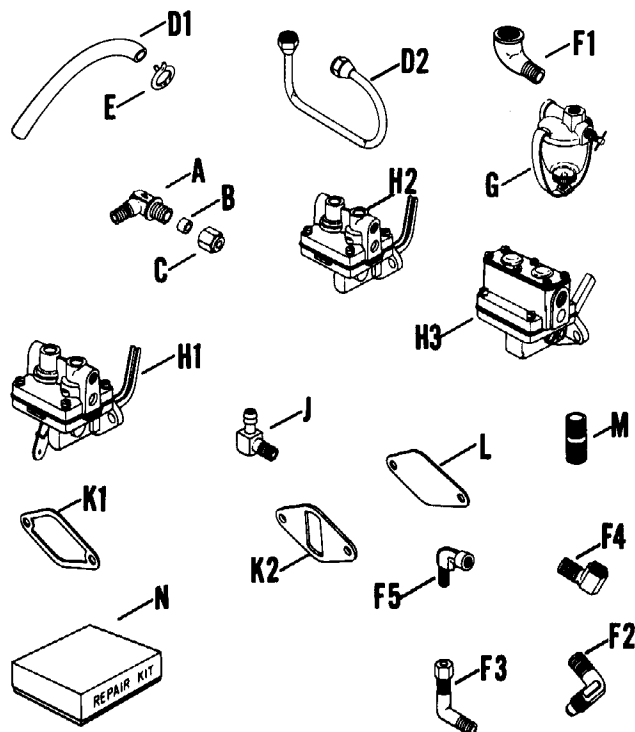
Index Letter	Description Variation Number	Part Number
Use stock of original part number before ordering replacement.		
A1	Flywheel 1, 13, 102, 132, 139	A-235908 *
	9	A-235928
	18, 39, 131, 150	A-235978
	58, 82	A-236252
	105	237297
	108	235818
	118	A-237435 *
A2	Flywheel 33, 51, 62, 73, 78, 83, 85, 89, 90, 91, 109	47 025 11
	Flywheel 43, 81	47 025 12
	48, 147	A-236707
	65, 96	A-236286

Index Letter	Description Variation Number	Part Number
	142	A-237748
	Flywheel (Replaced by 47 025 23)	
	151	47 025 06
	Flywheel (Replaced by 47 025 24)	
	155, 165	47 025 14
	Flywheel (Replaced by 47 025 22)	
	156	47 025 05
	Flywheel (Replaced by 47 025 28)	
	164	47 025 02
	Flywheel 61	47 025 10
	Flywheel (Replaced by 47 025 29)	
	106	47 025 09
	Flywheel (Replaced by 47 025 28)	
	103, 115, 116, 117, 120, 123, 126, 129, 134, 152	47 025 08
	Flywheel (Replaced by 47 025 27)	
	122	47 025 07
	Flywheel 163, 170	47 025 24
	168	47 025 44
	171, 188, 192	47 025 28
	185	47 025 22
B	Adapter, front drive 115, 188	237373
	Adapter, hub 185	47 029 04
C	Key (Replaced by X-286-17)	
	ALL	X-286-15
D	Rope ALL	A-230099
E	Shaft, front drive 18	235226
	75, 85, 129, 150, 171	235377
	83	235954
	126, 155	237350
	131	237506
	152, 164	47 144 01
	192	47 144 09
F1	Screen, grass 1, 9, 33, 39, 48, 62, 89, 103	235208
F2	Screen, grass 13, 118	237377 *
	Screen, grass 126	47 162 04
F3	Screen, grass 18, 131	235052
	83, 120, 129, 150, 155, 170, 171	237029

*REVIEW PARTS BULLETIN NO. 129 BEFORE ORDERING

Index Letter	Description Variation Number	Part Number	Index Letter	Description Variation Number	Part Number
F4	Screen, grass 51, 65, 91, 117	47 162 03	A	Elbow (Copper fuel line only) 1, 3, 12, 27, 29	231510
F5	Screen, grass 73, 96, 123, 132, 134, 142, 147, 163 168	236688 47 162 10	B	Sleeve (Copper fuel line only) 3, 12, 18, 27, 29	220547
F6	Screen, grass 105, 151	237284	C	Nut (Copper fuel line only) 3, 12, 18, 27, 29	220786
F7	Screen, grass 115, 188 185	237372 47 162 12	D1	Line, fuel (Pump to carburetor) 5 rubber (Copper fuel line - 235097) 1, 2, 3, 5, 6, 9, 12, 15, 18, 19, 20, 21, 25, 27, 28, 29, 32, 33, 38, 42, 43, 45, 46, 48, 51	X-697-1
F8	Screen, grass 139	237718		Line, fuel (Pump to carburetor 5-1/2 rubber)	X-386-42
G1	Pulley, electric start (Single groove) 1, 9, 18, 33, 39, 48, 61, 62, 78, 85, 89, 103, 106, 108, 131, 139	235207		Line, fuel (6-1/2" rubber) 49, 53, 59, 64	X-807-3
G2	Pulley, rope start 82	235752		60	X-807-7
H	Cup, drive 105, 151	231817		Line, fuel 52	X-810-1
J	Pin, dowel 105, 151	X-56-7	D2	Line, fuel (Steel) 44	47 516 01
K	Nut, lock 5/8 - 18 ALL	X-119-14	E	Clamp, hose (2) (Rubber fuel line only) 1, 2, 3, 5, 6, 9, 12, 15, 18, 19, 20, 21, 25, 27, 28, 29, 30, 32, 33, 38, 41, 42, 43, 45, 46, 48, 49, 51, 52, 53, 59, 60, 64	X-426-9
L	Support, rotor 58, 82	236593	F1	Elbow, street 1/8 x 90° 3, 18, 19, 20, 25, 27, 28, 29, 41	X-211-10
M	Rotor 58, 82	277227		Elbow, street 1/8 x 45° 38	X-274-4

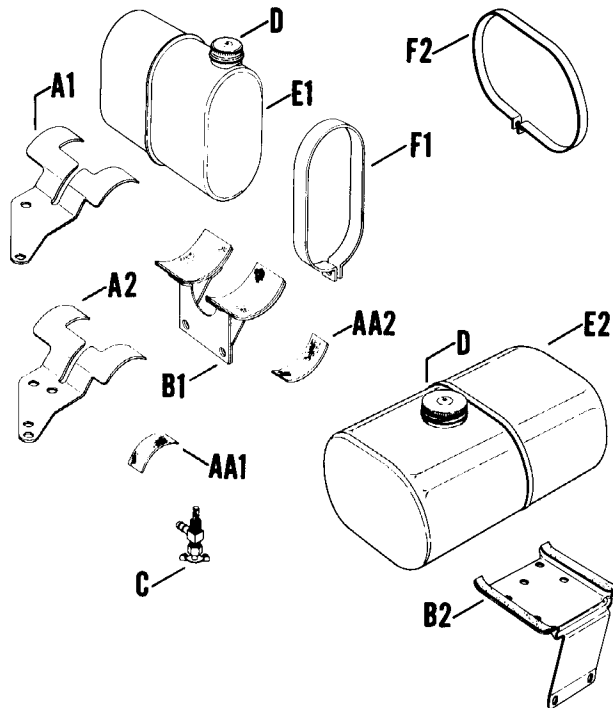
14 FUEL PUMP



F2	Elbow 90° 18	X-447-10
	Elbow 90° (2) 44	X-447-10
F3	Elbow 90° 20, 25, 28, 41	A-822
F4	Elbow, street 1/8 x 90° 30, 44, 64	X-555-2
F5	Elbow, street 44	X-774-1
G	Filter, fuel (Refer to Index Letter M, Group 15 for assembly details) 3, 18, 19, 20, 25, 27, 28, 29, 30, 38, 41, 44	A-210101
H1	Pump, fuel (with prime lever) 1, 3, 5, 6, 19, 27, 28, 33, 43	A-235807
	Pump, fuel (with prime lever) (Includes gasket) 51, 53	47 559 01
H2	Pump, fuel (without prime lever) 2, 12, 18, 20, 21, 25, 29, 30, 32, 38, 41, 42, 44, 60	A-235845

Index Letter	Description Variation Number	Part Number
	Pump, fuel (without prime lever) (Includes gasket) 48	47 559 03
	49, 52, 59, 64	47 559 04
H3	Pump, fuel (without prime lever) 9, 45	A-236205
	Pump, fuel (without prime lever) (Use 47 393 04 after engine serial no. 7216097) 15	A-236205
	Pump, fuel (without prime lever) 46	47 393 04
J	Elbow, hose 90° (1/4 I.D. hose) 1, 3, 5, 12, 15, 18, 20, 21, 25, 27, 28, 29, 32, 38, 41, 46, 48, 51, 53, 64	X-391-1
	Elbow (2) 2, 6, 9, 19, 33, 42, 43, 45, 52, 59, 60	X-391-1
	Elbow, hose 90° (3/16 I.D. hose) (Use X-391-1 prior to engine serial no. 5155716) 32	X-391-11
	Elbow, hose 90° (3/16 I.D. hose) 48, 53	X-391-11
K	Gasket, fuel pump ALL (except 45)	47 041 04
	45	277649
L	Cover, pump pad 4	240282
M	Nipple 1/8 x 1 3, 19, 25, 27, 29	X-217-7
	Nipple 1/8 x 2-1/2 20, 38, 41	167196
N	Repair kit (Use only with pumps have letter "B" stamped on body) (Includes diaphragm spring, valve assembly, valve gasket, and pulsator diaphragm) 1, 2, 3, 5, 6, 12, 18, 19, 20, 21, 25, 27, 28, 29, 30, 32, 33, 38, 41, 42, 43, 44	230675
	9, 15, 45	236387

FUEL TANK **15**



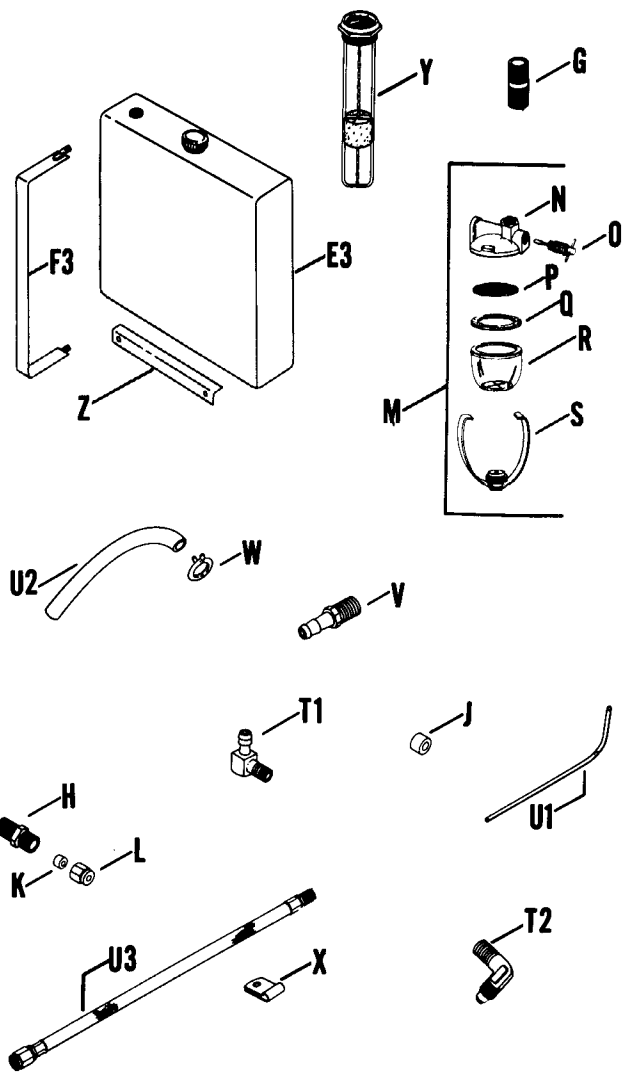
Index Letter	Description Variation Number	Part Number
--------------	---------------------------------	-------------

Use stock of original part number before ordering replacement.

A1	Bracket, upper tank 1, 15, 21	45 217 02
	Bracket, upper tank (Use 45 217 01 after engine serial no. 3184999) 24, 26, 36	45 217 02
A2	Bracket, upper tank (Replaced by 47 217 10) 40, 41	45 217 01
	Bracket, upper tank 57, 59	45 066 03
	Bracket, upper tank (Use 45 217 02 prior to engine serial no. 3185000) 43, 44	45 217 01
	Bracket, upper tank - assem. (Includes webbing) 57, 59	47 217 10
B1	Bracket, lower tank (Replaced by 47 217 11) 1, 15, 21, 24, 26, 36, 40, 41, 43, 44	236934
	Bracket, lower tank - assem. (Includes webbing) 59	47 217 11
	Bracket, lower tank 59	47 066 02

Index Letter	Description Variation Number	Part Number
B2	Bracket 6, 22, 27, 38	236943
C	Valve, fuel (Use 47 462 01 after engine serial no. 5155715) 1, 24, 26, 36, 38, 41, 43, 44	220764
	57, 59	47 462 01
D	Cap, tank 1	220956
	6, 15, 21, 22, 24, 27, 36, 38, 40, 41, 43, 44	236655
	26	220853
E1	Tank, fuel 1.5 gallon (Includes cap) 1, 15, 21, 24, 26, 36, 40, 41, 43, 44, 57, 59	235164
E2	Tank, fuel 2.0 gallon (Includes cap) 6, 22, 27, 38	235935
E3	Tank, fuel 7.5 gallon (Includes cap) 99	288831
F1	Strap, tank (2) (Includes 1 screw X-5-26 and 1 nut X-101-8) 1, 15, 21, 24, 26, 36, 40, 41, 43, 44, 57, 59	237639
F2	Strap, tank (2) (Includes 1 screw X-776-1 and 1 nut X-101-8) 6, 22, 27, 38	A-236942
F3	Strap, tank (2) 99	288832
G	Nipple 1/8 6, 22	X-217-6
	40	X-217-7
H	Connector 15, 21	231509
J	Spacer (2) (Not used prior to serial no. 3185000) 24, 26, 36	280528
	Spacer (2) 40, 44	X-400-89
K	Sleeve (2) 1, 6, 15, 21	220547
L	Nut (2) 1, 6, 15, 21	220786
M	Filter, fuel - assembly (Includes N thru S) 6, 22, 40	A-210101
N	Top, filter 6, 22, 40	210478
O	Valve, needle 6, 22, 40	A-210480
P	Screen, filter 6, 22, 40	210479
Q	Gasket, filter 6, 22, 40	210468

FUEL TANK



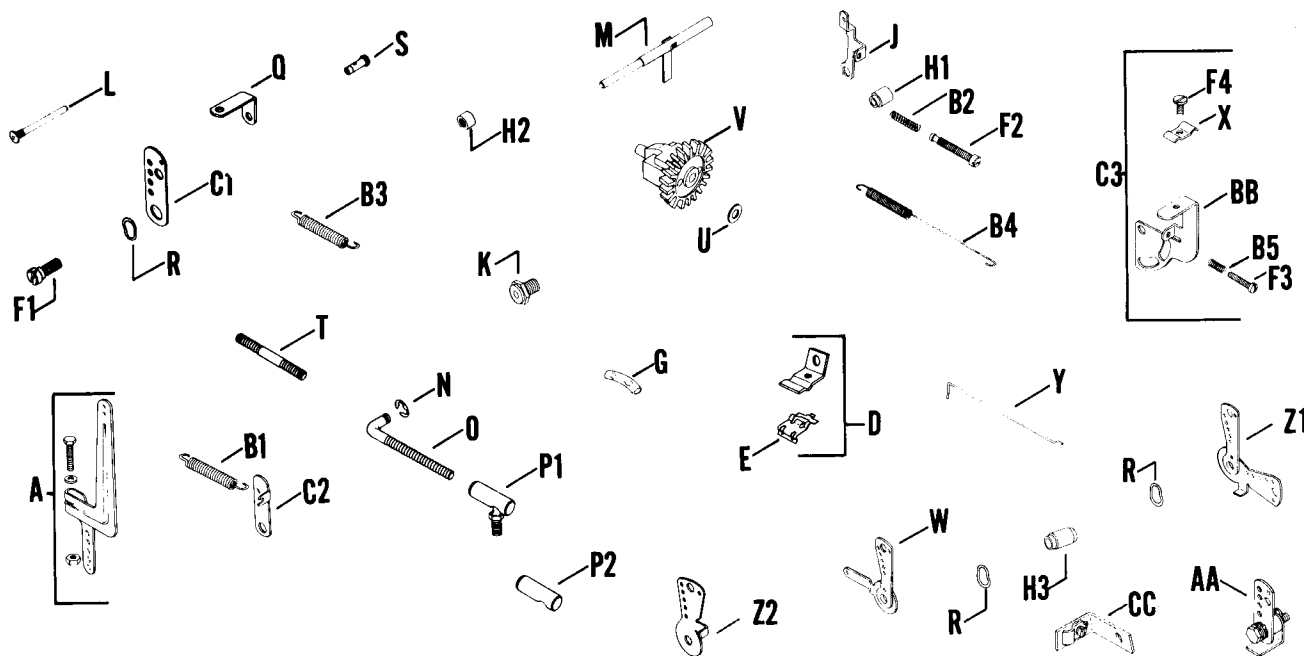
Index Letter	Description Variation Number	Part Number
R	Bowl, glass 6, 22, 40	210467
S	Ball 6, 22, 40	A-210477
T1	Elbow, hose (Use X-391-1 prior to serial no. 5155716) 40	X-391-11
T2	Elbow 90° 99	X-447-10
U1	Line, fuel 22 copper 1	X-294-5
	Line, fuel 6 steel 6	235372
	Line, fuel 27 copper 15, 21	X-294-16

15.17

K 321

Index Letter	Description Variation Number	Part Number	Index Letter	Description Variation Number	Part Number
U2	Line, fuel 6-1/2 rubber 6, 22	X-697-5		Clamp, hose (2) 6, 22, 40	X-426-9
	Line, fuel 20 rubber 24, 26, 36, 40, 41, 43, 44	X-788-1	X	Clip 99	286533
	Line, fuel 7 rubber 38	X-697-8	Y	Gauge, fuel tank 99	234111
U3	Line, fuel 41 99	265484	Z	Tank, support 99	288635
V	Connector, hose 6, 22	X-380-1	AA1	Webbing (2) (upper bracket) 57, 59	X-295-35
W	Clamp, hose (2) (Use X-426-9 on engines with serial no. 5155716 thru 6173117—engines after serial no. 6173117 do not require clamps) 1, 24, 26, 36, 41, 43, 44 38	X-309-8 X-309-14	AA2	Webbing (2) (lower bracket) 59	X-295-25

17 GOVERNOR

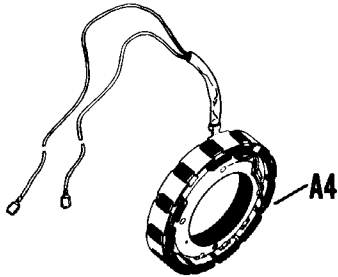
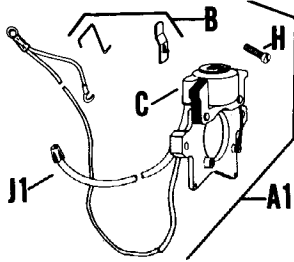


Index Letter	Description Variation Number	Part Number	Index Letter	Description Variation Number	Part Number
<div style="border: 1px solid black; padding: 5px; width: fit-content;"> Use stock of original part number before ordering replacement. </div>			B1	Spring, governor 1, 2, 3, 6, 7, 10, 14, 17, 21, 23, 24, 25, 27, 36, 40, 43, 46, 57, 58	235496
A	Lever, governor (Includes 1 washer X-25-72, 1 nut X-81-1 & 1 screw X-776-1) 1, 2, 3, 5, 6, 7, 10, 14, 15, 17, 21, 23, 24, 25, 27, 31, 37, 40, 43, 46, 57 32, 33, 36, 45, 51, 53, 57	A-237653 45 087 03		5, 15, 31, 37	235495
			B2	Spring 14, 17, 24	237573
			B3	Spring 24	236261
			B4	Spring, governor 32, 33, 45, 51, 53	47 091 01

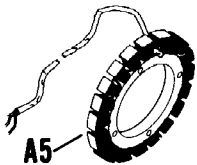
Index Letter	Description Variation Number	Part Number	Index Letter	Description Variation Number	Part Number
B5	Spring 32, 33, 45, 51, 53	232555		Rod, ball joint (2) 3, 15, 31	235277
C1	Bracket, speed control 1, 2, 3, 5, 10, 15, 25, 27, 31, 37, 43, 58	235086	P1	Ball joint 1, 2, 3, 6, 7, 10, 15, 17, 21, 23, 24, 25, 27, 31, 36	237130
	7, 23, 36, 40, 57	236249		Ball joint (2) 5, 14, 37	237130
C2	Bracket, speed control 14, 17, 24	236413	P2	Ball joint 32, 33, 45, 51, 53	45 208 03
C3	Bracket, speed control assembly (Includes B5, F3, F4 & X) 32, 33	47 217 05	Q	Bracket, adjusting screw 1, 2, 3, 5, 6, 7, 10, 15, 23, 25, 27, 31, 36, 37, 40, 43, 57, 58	235084
D	Bracket, throttle (Includes 235603 clip) 10, 23, 25, 58	A-237559	R	Washer, tension 1, 2, 3, 5, 7, 10, 14, 15, 17, 23, 24, 25, 27, 31, 36, 37, 40, 43, 45, 57, 58	275690
E	Clip 10, 23, 25, 58	235603		Washer, tension (2) 32, 33, 51, 53	275690
F1	Screw, shoulder #10 - 24 x 1/2 3, 5, 15, 31, 37	235477	S	Clamp, swivel wire 1, 7, 10, 23, 25, 27, 33, 36, 40 51, 57	231052 48 237 02
F2	Screw, adjusting 14, 17, 24	237574	T	Rod, throttle 5, 14, 37	235078
F3	Screw, adjusting 32, 33, 45, 51, 53	232556	U	Washer, thrust (Use with nylon gear) (Use X-25-67 with steel gear) ALL	237022
F4	Screw, sems #10 - 24 x 3/8 32, 33	X-764-1	V	Kit, governor gear (Includes U) 1, 2, 3, 6, 7, 10, 14, 15, 17, 21, 23, 24, 25, 27, 31, 32, 33, 36, 40, 43, 45, 46, 51, 53, 57, 58	A-235743-S
G	Damper, spring 37	45 263 01		Gear, governor (Includes U) 5, 37	A-236294-S
H1	Spacer 1, 2, 3, 6, 7, 10, 15, 23, 25, 27, 36, 40, 43, 57, 58	235085	W	Lever, choke control 32	47 090 07
	5, 31, 37	45 112 01		33, 51, 53	47 090 06
	14, 17, 24	236415	X	Clamp 32, 33, 51, 53	47 237 02
H2	Spacer (Use only on engines after serial no. 3173783) ALL	X-400-80		Clamp (2) 45	235778
H3	Spacer 32, 33, 51, 53	47 112 02	Y	Linkage, choke 32, 33, 51, 53	47 079 01
	45	47 112 03	Z1	Lever, throttle control 32	47 090 08
J	Lever, adjusting screw 14, 17, 24	237833		45	47 090 09
K	Bushing ALL	235476	Z2	Lever, throttle control 33	47 090 04
L	Pin, governor stop ALL	231355		51, 53	47 090 10
M	Kit, governor cross shaft (Includes X-400-80 spacer) (Use 237455 shaft after engine serial no. 3173783) 1, 2, 3, 6, 7, 10, 14, 15, 17, 21, 24	A-235256-S	AA	Bracket, control - assem. 58	A-236896
	Shaft, governor cross 5, 23, 25, 27, 31, 32, 33, 36, 37, 40, 43, 45, 46, 51, 53, 57, 58	237455	BB	Bracket, control 51, 53	47 126 09
N	Retainer, rod 1, 2, 5, 6, 7, 10, 17, 21, 23, 24, 25, 27, 32, 33, 36, 37, 40, 43, 45, 46, 51, 53, 57, 58	235278		45	47 126 13
	Retainer, rod (2) 3, 15, 31	235278	CC	Bracket, choke 45	47 126 12
O	Rod, ball joint 1, 2, 5, 6, 7, 10, 17, 21, 23, 24, 25, 27, 32, 33, 36, 37, 45, 51, 53	235277		Bracket, throttle 45	47 126 14

18 IGNITION

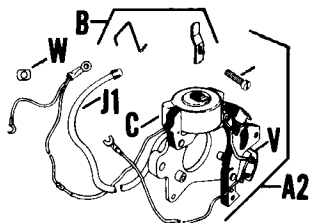
BREAKER IGNITION BREAKERLESS IGNITION



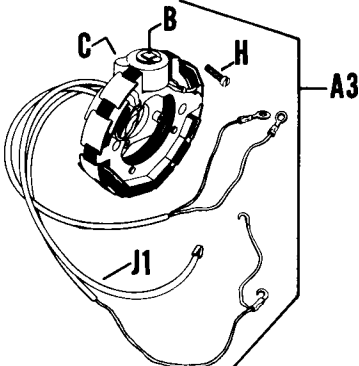
FLYWHEEL MAGNETO



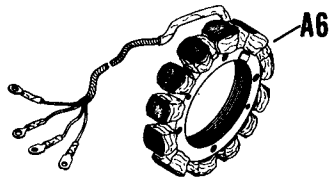
10 AMP ALTERNATOR-BATTERY IGNITION



15 AMP ALTERNATOR-BATTERY IGNITION



FLYWHEEL MAGNETO WITH 3 AMP LIGHTING COILS



30 AMP ALTERNATOR

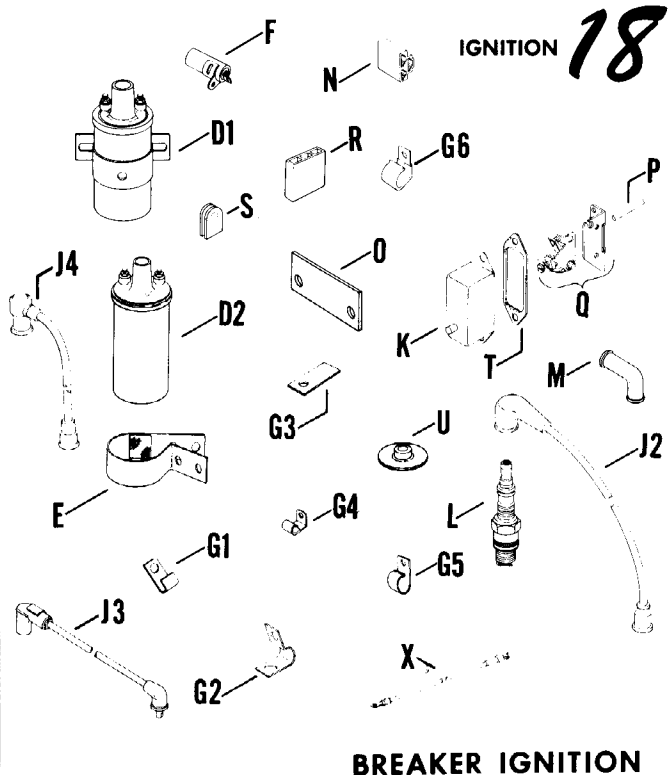
10 AMP ALTERNATOR-FLYWHEEL MAGNETO

Index Letter	Description Variation Number	Part Number
--------------	------------------------------	-------------

Use stock of original part number before ordering replacement.

A1	Stator, magneto-asm. (Includes B, C, H & J1) 1, 19, 27, 35, 70, 84, 144, 171, 175, 178	A-235741
A2	Stator, magneto - alternator - assembly (Includes B, C, H, J1, V & W) 18	A-232808
A3	Stator, magneto - alternator - assembly (Includes B, C, H & J1) 32, 48	237876
A4	Stator 72	237065

Index Letter	Description Variation Number	Part Number
A5	Kit, stator 86, 90, 92, 98, 100, 106, 108, 111, 113, 115, 119, 123, 124, 125, 126, 127, 128, 130, 134, 137, 141, 143, 148, 153, 156, 158, 161, 164, 166, 168, 173, 174, 179, 180, 190, 197, 207, 208	237878
	Stator (Replaced by 237878 Stator) 129	237716
	Stator 160	47 085 04
A6	Stator 599	277063
	170	237775
B	Kit, coil clip 1, 18, 19, 27, 32, 35, 48, 70, 84, 144, 171, 175, 178	237919
C	Coil 1, 18, 19, 27, 32, 35, 48, 70, 84, 144, 171, 175, 178	238059
D1	Coil, ignition 12 volt 2, 15, 72, 86, 90, 92, 100, 106, 111, 113, 114, 115, 116, 119, 123, 126, 127, 128, 129, 130, 134, 135, 137, 141, 143, 153, 156, 158, 159, 160, 161, 164, 166, 168, 170, 173, 174, 179, 180, 190, 197, 207, 208, 599	231281
D2	Coil, ignition 12 volt (Replaced by 231281 Coil) 148	47 145 01

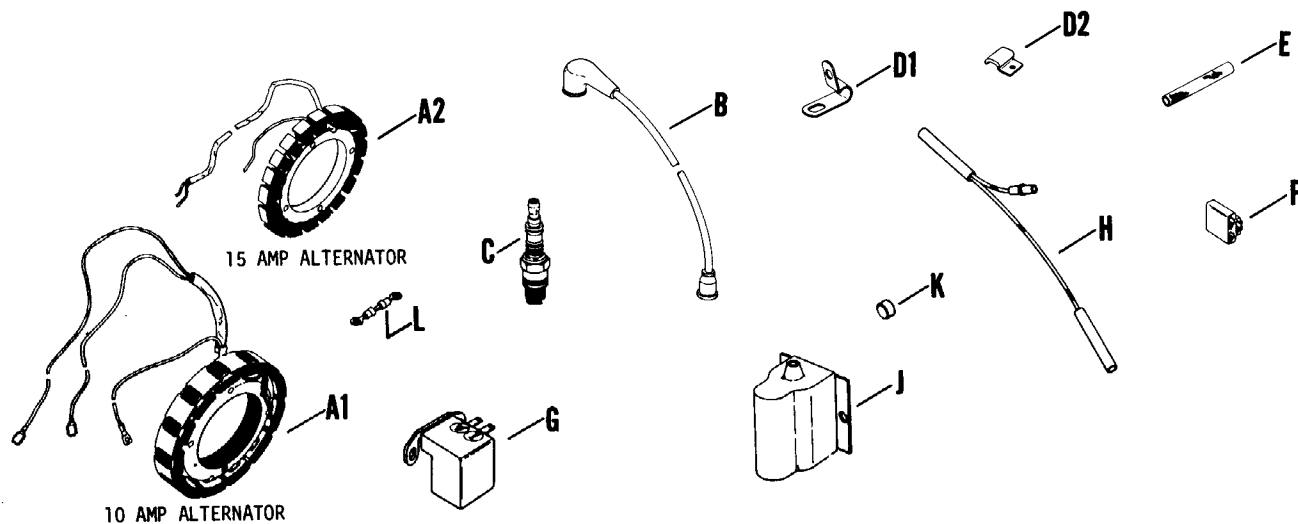


BREAKER IGNITION

Index Letter	Description Variation Number	Part Number	Index Letter	Description Variation Number	Part Number
E	Bracket, coil mounting 148	47 217 07	K	Cover, breaker ALL (except 1, 18, 19, 27, 70)	232535
F	Condenser (Replaced by 47 147 01) 1, 18, 19, 27, 32, 35, 48, 70, 84, 144, 171, 175, 178	235786	L	Plug, spark 1, 2, 15, 32, 48, 70, 72, 86, 90, 92, 100, 106, 111, 113, 115, 119, 123, 125, 126, 127, 128, 129, 130, 134, 135, 137, 143, 144, 148, 156, 158, 161, 168, 599	A-220136 235040-S
	2, 15, 72, 86, 90, 92, 100, 106, 108, 111, 113, 114, 115, 116, 119, 123, 126, 127, 128, 129, 130, 134, 135, 137, 141, 143, 148, 153, 156, 158, 159, 160, 161, 164, 166, 168, 170, 173, 174, 179, 180, 190, 197, 207, 208, 599	230722		18, 19, 27, 35, 84, 108, 109, 114, 116, 124, 141, 153, 160, 166, 170, 171, 173, 174, 175, 178, 179, 180, 190, 197, 207, 208	235041-S
G1	Clip 1, 2, 15, 18, 19, 27, 32, 35, 48, 70, 72, 84, 86, 90, 92, 100, 106, 108, 111, 113, 114, 115, 116, 123, 124, 125, 126, 127, 128, 129, 130, 134, 135, 137, 141, 143, 144, 148, 153, 156, 158, 159, 160, 161, 164, 166, 168, 170, 171, 173, 174, 175, 178, 179, 180, 190, 197, 207, 208, 599	275303		98	235976-S
	32, 48	236450	M	Boot, spark plug 1, 18, 19, 27, 32, 35, 48, 70, 84, 144, 171, 175, 178	235710-S
	170	234531	N	Block, terminal 72, 86, 160	220791
G2	Clip 1/2 wide 1, 18, 19, 27, 32, 35, 48, 70, 84, 144, 171, 174, 175, 178	275183		Block, terminal 128, 143, 148, 153, 161, 168, 173, 190, 207, 208	48 155 02
	Clip 7/16 wide 1, 18, 19, 27, 35, 70, 72, 84, 86, 90, 92, 98, 100, 106, 108, 111, 113, 115, 119, 123, 124, 125, 126, 127, 128, 129, 130, 134, 137, 141, 143, 144, 148, 153, 156, 158, 160, 161, 164, 166, 168, 171, 173, 174, 175, 178, 179, 180, 190, 197, 207, 208	X-728-1	O	Backplate, coil 92, 161, 173, 208	234323
G3	Clip 18, 32	232510	P	Rod, breaker ALL	47 411 04
G4	Clip 114	237601	Q	Breaker (Replaced by 47 150 03) 1, 2, 15, 18, 19, 27, 32, 35, 48, 70, 72, 84, 86, 90, 92, 98, 100, 106, 108, 111, 113, 114, 115, 116, 119, 123, 124, 125, 126, 127, 128, 129, 130, 134, 135, 137, 141, 143, 144, 148, 153, 156, 158, 159, 160, 161, 164, 166, 168, 170, 171, 173, 174, 175, 178, 179, 180, 190, 197, 207, 208, 599	47 150 01
G5	Clip 125, 126, 130, 134, 166, 170, 174	234511	R	Connector 173, 190, 208	236602
G6	Clip 143, 148, 153, 161, 173, 207, 208	47 154 01	S	Grommet 178	220297
H	Screw 1, 18, 19, 27, 32, 35, 48, 70, 84, 144, 171, 175, 178	234423	T	Gasket, cover ALL	52 041 11
J1	Cable, hi-tension 1, 18, 19, 27, 32, 35, 48, 70, 84, 144, 171, 175, 178	234424	U	Grommet, spark plug 143, 148, 153, 161, 173, 208	47 313 01
J2	Lead, hi-tension 2, 15, 72, 86, 90, 92, 100, 106, 108, 109, 111, 113, 114, 115, 116, 123, 126, 127, 128, 129, 130, 134, 135, 137, 141, 143, 148, 156, 158, 160, 161, 164, 166, 168, 173, 174, 179, 180, 190, 197, 207, 208, 599	238057	V	Coil, generator 18	232898
J3	Cable, hi-tension 153	47 348 02	W	Clip, generator coil 18	232899
J4	Cable, hi-tension 159	47 348 03	X	Lead 190	47 125 01
				208	47 125 02

18 IGNITION

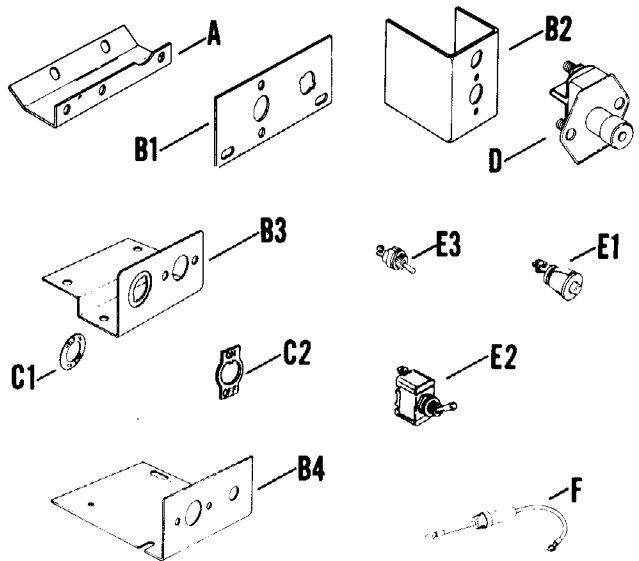
BREAKERLESS IGNITION



Index Letter	Description Variation Number	Part Number	Index Letter	Description Variation Number	Part Number
A1	Kit, stator 49, 53, 54, 58, 62, 63, 66, 67, 68, 79, 83	237877	F	Block, terminal 54, 61, 91	236473
A2	Kit, stator 74, 91, 94, 99, 102, 107, 132, 139	237879	G	Trigger 49, 53, 54, 58, 61, 62, 63, 66, 67, 68, 74, 79, 83, 91, 94, 99, 102, 107, 132, 139	A-237339
B	Lead, hi-tension 49, 53, 54, 58, 61, 62, 63, 66, 67, 74, 79, 83, 91, 94, 99, 102, 107, 132, 139	238057	H	Lead, trigger 49, 53, 58, 63, 74, 79, 83, 102	236814
C	Plug, spark 49, 53, 54, 58, 61, 62, 63, 66, 67, 74, 79, 83, 91, 94, 99, 102, 107	235040-S		54	237044
	68	235976-S		62, 68, 99, 107, 139	237105
	132, 139	235710-S		66, 67, 94, 132	237125
D1	Clip 7/16 wide 49, 53, 54, 58, 61, 62, 63, 66, 68, 74, 79, 83, 91, 94, 99, 102, 107, 132, 139	X-728-1	J	Coil, ignition 49, 53, 54, 58, 61, 62, 63, 66, 67, 74, 79, 83, 91, 94, 102, 107, 132, 139	236826
	Clip 1/2 wide 62, 107	275183	K	Plug, cap 49, 53, 54, 58, 61, 62, 63, 66, 67, 68, 74, 79, 83, 91, 94, 99, 102, 107, 132, 139	X-702-1
D2	Clip 7/8 wide 67	236450	L	Resistor, 22 ohm 1/2 watt 49, 53, 54, 58, 61, 62, 63, 66, 67, 68, 74, 79, 83, 91, 94, 99, 102, 107, 132, 139	237327
E	Sleeving 49, 99, 132, 139	X-715-3			

19 INSTRUMENT PANEL

OIL PAN 21



Index Letter	Description Variation Number	Part Number
--------------	------------------------------	-------------

Use stock of original part number before ordering replacement.

A1	Gasket, pan 1, 2, 4, 6, 20, 22, 23, 25, 27, 28, 37, 41, 42, 50	235057
A2	Gasket, pan 8, 9, 24, 33, 34, 35, 36, 38, 39, 43, 44, 45, 49, 52	235353
B1	Pan, oil (Side drain) 1, 4, 20, 25, 28, 37, 42 Pan, oil (Bottom drain) 2, 41 Pan, oil (Rear drain) 6 Pan, oil (Side drain) 23	235115 235147 235305 237763
B2	Pan, oil (Bottom drain) 8, 24, 36, 38, 44, 45	237503
B3	Pan, oil (Bottom drain) 9, 39, 43, 49 Pan, oil (Bottom drain) 52	47 755 11 47 199 08
B4	Pan, oil (Side drain) 22, 27 50	235328 47 199 05
B5	Pan, oil (Side drain) 33, 34, 35	237462
B6	Pan, oil (Bottom drain) 54	47 199 07
C	Cap, pipe 3/4 4, 35	X-268-1
D1	Plug, drain 3/8 sq. hd. 2, 8, 23, 44, 45, 54 Plug, drain 1/4 sq. hd. 9, 39, 43, 49, 52 Plug, drain 1/8 sq. hd (2) 22, 27 Plug, drain 50 Plug, drain 1/4 sq. hd. 1, 6, 20, 25, 28, 34 Plug, drain 1/4 sq. hd. (Use prior to generator set serial no. 440033) 33	X-75-10 X-75-2 X-75-1 X-75-1 X-75-6
D2	Plug, drain 1 hex. hd. 24, 36	X-75-6 X-708-1
D3	Plug, drain 3/8 hex. hd. 22, 27, 50	X-305-4
E	Bushing (Use after generator set serial no. 440032) 33 Bushing 34, 42	X-202-23 X-202-23

Index Letter	Description Variation Number	Part Number
--------------	------------------------------	-------------

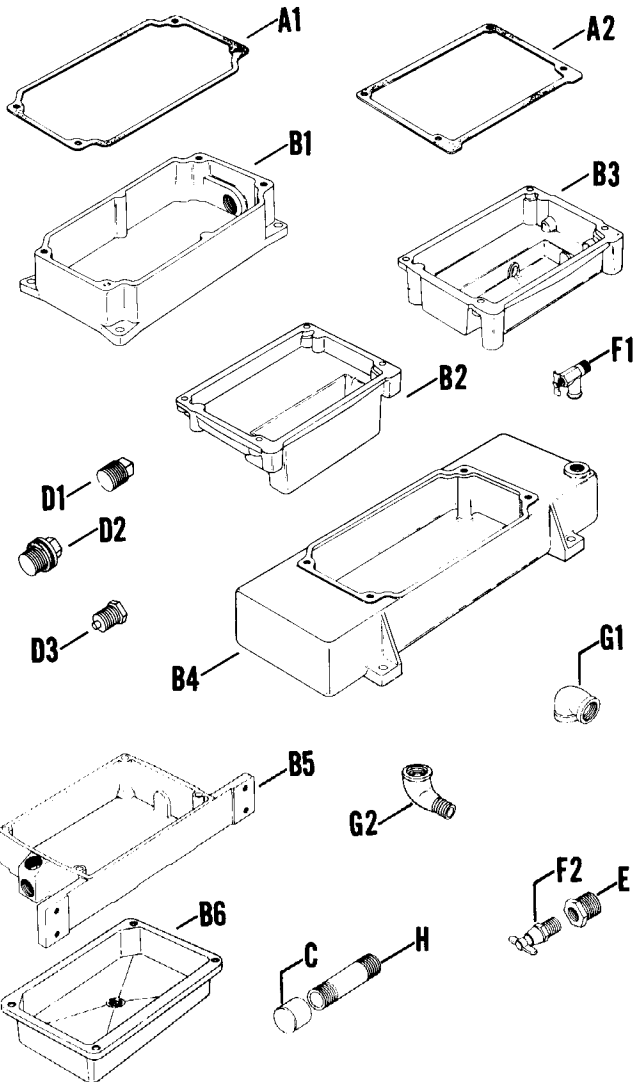
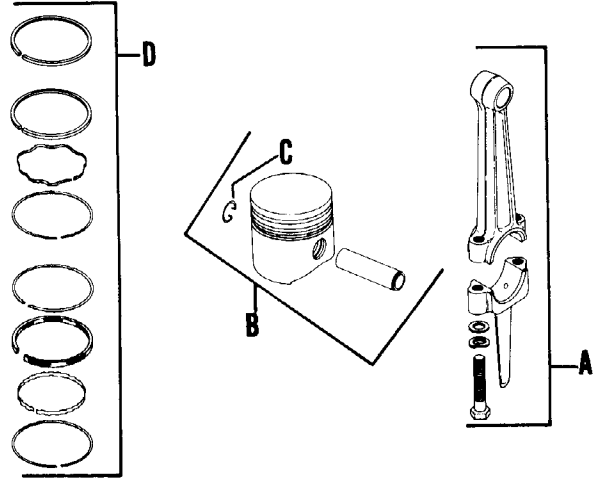
Use stock of original part number before ordering replacement.

A	Bracket, panel (Replaced by 47 126 16) 9, 18, 23 Bracket, panel 37	237386 47 126 16
B1	Panel, switch 9 18, 23, 37	236595 237594
B2	Panel, switch (Discontinued—Not Available) 11	236579
B3	Panel, switch 14 22	237009 237596
B4	Panel, switch 27	237595
C1	Plate, switch instruction 9, 11, 14	236654
C2	Plate, switch instruction 18, 22, 23, 27, 37, 50	220725
D	Switch, starter 9, 11, 14, 18, 22, 23, 27, 37	230442
E1	Switch, ignition 9, 11, 14	236435
E2	Switch, ignition 18, 22, 23, 27, 37	238011
E3	Switch, ignition 50	234690
F	Holder, fuse 37	41 323 02

Index Letter	Description Variation Number	Part Number
--------------	---------------------------------	-------------

PISTON AND ROD **22**

F1	Valve (Use after generator set serial no. 440032) 33	238123
F2	Valve 34, 42	X-256-1
G1	Elbow 25, 28, 34, 42	X-215-2
G2	Elbow, oil drain (Use prior to generator set serial no. 440033) 33	SA-472
H	Nipple 3/4 x 2-3/16 4, 25, 35	X-206-10
	Nipple 3/4 x 2-1/2 28, 34, 42	X-206-4



Index Letter	Description Variation Number	Part Number
--------------	---------------------------------	-------------

Use stock of original part number before ordering replacement.

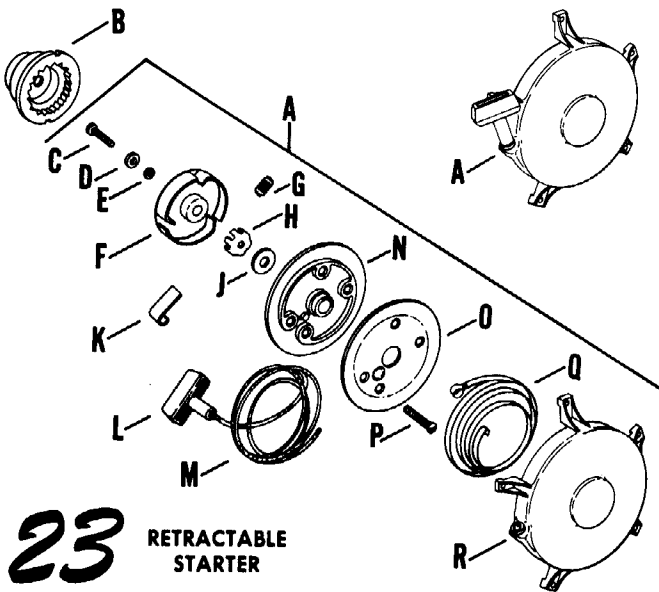
A	Rod, connecting - Std. 7, 8, 12	A-237344 → 47 067 09
	Rod, connecting - .010 U.S.	A-237344-10 → 47 067 10
B	Piston - assembly (Std.) (Includes pin & retainers) (Replaced by 47 074 06) 7, 8, 12	A-237401
	Piston - assembly (.003) (Includes pin & retainers) (Replaced by 47 074 07)	A-237402
	Piston - assembly (.010) (Includes pin & retainers) (Replaced by 47 074 08)	A-237403
	Piston - assembly (.020) (Includes pin & retainers) (Replaced by 47 074 09)	A-237404
	Piston - assembly (.030) (Includes pin & retainers) (Replaced by 47 074 10)	A-237405
C	Retainer (2) (Replaced by 47 018 01) 7, 8, 12	235004
D	Ring set - Std. & .003 7, 8, 12	236763
	Ring set - .010	236764
	Ring set - .020	236765
	Ring set - .030	236766

23 RETRACTABLE STARTER

Index Letter	Description Variation Number	Part Number
--------------	------------------------------	-------------

Use stock of original part number before ordering replacement.

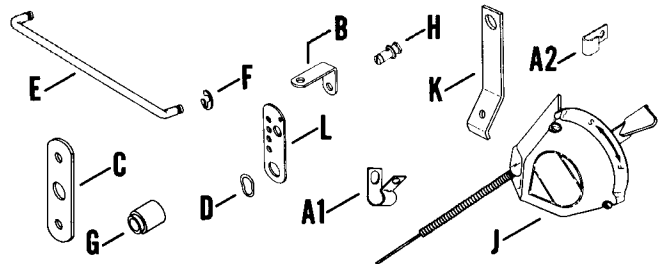
A	Starter, recoil - assembly (Includes C thru R) 1	A-235943
	Starter, recoil - assembly (Includes C thru R) (Replaced by 47 755 03 kit—includes A-235943 starter & 237377 screen) 7	A-237252
B	Cup 1, 7	235685
C	Screw, hex. hd. #10 - 32 x 5/8 1, 7	231691
D	Washer 1, 7	231690
E	Washer 1, 7	231693
F	Retainer 1, 7	231699
G	Spring, retainer 1, 7	232525
H	Brake 1, 7	231689
J	Washer, thrust 1, 7	231692
K	Dogs (3) 1, 7	231695
L	Handle 1, 7	234452
M	Rope # 6 - 66" 1, 7	231686



23 RETRACTABLE STARTER

Index Letter	Description Variation Number	Part Number
N	Pulley 1, 7	231697
O	Sheave 1, 7	231685
P	Screw (4) 1, 7	231683
Q	Spring, recoil 1, 7	231705
R	Housing 1	235696
	7	237576

REMOTE THROTTLE **24**



A1	Clip, cable 11	210149
	20	275329
A2	Clip, cable (2) 15, 21	231285
B	Bracket, adjusting screw 2, 10, 16	235084
C	Bellcrank 2, 10	235550
	16	236752
D	Washer, tension (2) 2, 10, 16	275690
E	Rod, throttle 2	235317
	10, 16	235756
F	Retainer, ring (2) 2, 10, 16	235278
G	Spacer 2	235626
	2	235085
	Spacer (2) 10, 16	235085
H	Clamp, swivel wire 2, 10, 16	231052
J	Lever, throttle (5-5/8" cable) 5	235160
K	Bracket, throttle cable 15	235180
L	Bracket, speed control 2, 10, 16	235086

31

K 321

31 HIGH TEMPERATURE CUTOUT



Index Letter	Description Variation Number	Part Number
A	Cutout, hi-temperature 1	230989

GASKET SET w/Seals 47 755 08

GASKET SET w/o Seals 47 004 01

Part No.	Description	Part No.	Description
X-271-30	Seal, front oil	52 041 11	Gasket, breaker cover
X-379-9	Seal, rear oil	231032	Seal, breather
52 041 11	Gasket, breaker cover	235025	Gasket, camshaft cover
231032	Seal, breather	235048	Gasket, valve cover
235025	Gasket, camshaft cover	235057	Gasket, oil pan
235048	Gasket, breather plate	235070	Gasket, bearing plate (3)
235057	Gasket, oil pan	235122	Gasket, exhaust
235070	Gasket, bearing plate (3)	47 041 07	Gasket, oil pan
235122	Gasket, exhaust	235757	Gasket, bearing plate
47 041 07	Gasket, oil pan	237064	Gasket, oil fill tube
235757	Gasket, bearing plate	237658	Gasket, cylinder head
237064	Gasket, oil fill tube	271030	Gasket, carburetor
237658	Gasket, cylinder head	275144	Gasket, valve cover
271030	Gasket, carburetor	275341	Gasket, air horn
275144	Gasket, valve cover	47 041 04	Gasket, fuel pump
275341	Gasket, air horn	47 049 01	Gasket, carburetor
47 041 04	Gasket, fuel pump	47 041 02	Gasket, air horn
47 041 02	Gasket, air horn	271030	Gasket, carburetor
47 049 01	Gasket, carburetor		

ACCESSORIES

Spec No.	Description	Part No.	Spec No.	Description	Part No.	Spec No.	Description	Part No.
6006	Regulator	234279	6058	Wing nut	X-276-7	60135	Spacer	X-400-71
6008	Cover, screen	236391		Cleaner, air	151834		Gasket, exhaust	235122
6009a	Screw (4)	X-153-2		Switch, starter	230442		Gasket, oil pan	235353
	Line, fuel	X-294-5		Elbow	235167	60136	Screw, F.H.M. (3)	X-167-2
	Nut	AC-1536		Washer (3)	X-19-1		Wing nut	X-276-7
	Filter	A-210101		Screw (3)	X-50-37		Base, air cleaner	235101
	Sleeve	220547		Brace	235339		Cover, air cleaner	235102
	Nut	220786		Switch, stop	236435		Cover, screen	236391
	Connector	231509		Muffler	275679		Gasket, air horn	275341
	Regulator	234279		Kit, ammeter	48 755 18	60138	Condenser	230722
	Muffler	275679		Gasket	275341		Coil	231281
6009b	Screw 1/4-20x3/4 (4)	47 086 08	6078	Cable, throttle	225011-7		Gasket, exhaust	235122
	Line, fuel	X-294-2		Rope	A-275181		Kit, lead	238057
	Nut	AC-1536	6079	Cable	225011-7		Regulator-rectifier	237335
	Filter	A-210101	6088	Gasket, exhaust	235122	60140	Switch, starter	237851
	Sleeve	220547	6093	Screw, F.H.M. (3)	X-167-2		Muffler	275679
	Nut	220786		Wing nut	X-276-7	60148	Lead	234423
	Connector	231509		Base, air cleaner	235101		Switch, stop	236435
	Regulator	234279		Cover, air cleaner	235102		Lead	237125
	Muffler	275679		Element	235116		Switch, starter	237851
6010	Regulator	234279		Cover, screen	236391		Muffler	275679
	Connector	236602	60102	Gasket, air horn	275341	60149	Screw, H.C. (3)	X-167-2
6013	Regulator	234279		Screw, F.H.M. (3)	X-167-2		Wing nut	X-276-7
	Connector	236602		Wing nut	X-276-7		Condenser	230722
	Gasket	235122		Base, air cleaner	235101		Gasket, air horn	275341
	Coil	236826		Cover, air cleaner	235102		Coil	231281
	Kit, lead	238057		Element	235116		Kit, lead	238057
6019a	Nipple	X-217-6		Cover, screen	236391		Base, air cleaner	235101
	Filter	A-210101		Gasket, air horn	275341		Cover, air cleaner	235102
	Cap, tank	236655	60105	Gasket, exhaust	235122	60151	Element	235116
	Kit, switch	223072-S	60113	Screw, F.H.M. (3)	X-167-2		Switch, starter	237851
	Plate	223073		Wing nut	X-276-7	60158	Washer	X-20-1
	Switch	230442		Base, air cleaner	235101		Washer	X-25-63
	Tank, fuel	235370		Cover, air cleaner	235102		Nut, hex.	X-81-1
	Strap	A-236938		Gasket, air horn	275341		Wing nut	X-276-7
6019b	Switch	230442	60117	Gasket, exhaust	235122		Gasket	AC-1787
	Tank, fuel	235370	60118	Screw (3)	X-173-1		Cleaner	151834
	Strap (2)	A-236938		Wing nut	X-276-7		Stud	210186-1
	Cap, tank	236655		Base, air cleaner	235101		Condenser	230722
6022a	Muffler	275679		Cover, air cleaner	23102		Coil	231281
6022b	Muffler	275679		Cover, screen	236391		Kit, lead	238057
	Switch, starter	230442		Gasket, air horn	275341		Gasket, exhaust	235122
	Switch, stop	236435	60131	Switch, starter	230442	60159	Regulator-rectifier	237335
6038a	Regulator-rectifier	234279		Lead	234443		Gasket	235122
	Connector	236602		Switch, stop	236435	60174	Regulator-rectifier	237335
6038b	Regulator-rectifier	234279		Lead	237125		Elbow, hose	25 155 02
	Connector	236602		Muffler	275679		Valve, fuel	220764
6045a	Switch, starter	230442	60132	Screw, T.H.	47 086 08		Tank, fuel	235370
	Switch, stop	236435		1/4-20x3/4 (3)			Strap (2)	A-236938
	Muffler	275679		Line, fuel	X-294-5		Cap, tank	236655
	Regulator	277064		Nut	AC-1536		Switch	237851
6053	Gasket	235122		Filter	A-210101	60176	Regulator-rectifier	237335
6055	Washer	X-25-73		Sleeve	220547	60186	Gasket, exhaust	235122
	Screw, T.H.			Nut	220786		Regulator-rectifier	237335
	1/4-20x3/4	47 086 08		Connector	231509		Connector	237429
	Kit, screen	47 755 16		Rope	A-230099	60191	Spacer (2)	X-400-71
				Muffler	275679		Gasket, exhaust	235122
							Gasket	235353

ACCESSORIES-CONTINUED

Spec No.	Description	Part No.	Spec No.	Description	Part No.
60196	Dipstick	237140	60248	Spacer (2)	X-400-71
60199	Wing nut	X-276-7		Gasket, exhaust	235122
	Gasket	AC-1787		Gasket	235353
	Cover, air cleaner	235102	60263	Wing nut	X-276-7
	Element	235116		Gasket	AC-1787
	Stud	235156		Cover, air cleaner	235102
	Base, air cleaner	235123		Element	235116
	Pre-cleaner	237421		Stud	235156
60201	Wing nut	X-276-7		Base, air cleaner	235123
	Gasket	AC-1787	60271	Gasket, exhaust	235122
	Cleaner, air	151834		Regulator-rectifier	237335
	Gasket, exhaust (2)	235122	60279	Spacer	X-400-71
	Regulator-rectifier	237335		Gasket, exhaust	235122
60202	Screw, H.C. (3)	X-167-2	60285	Screw, H.C. (4)	X-7-6
	Wing nut	X-276-7		Washer, lock	X-20-1
	Base, air cleaner	235101		Washer, lock (4)	X-22-1
	Cover, air cleaner	235102		Washer, plain	X-25-63
	Element	235116		Nut, hex.	X-81-1
	Element	237421		Screw, T.H.	
	Gasket, air horn	275341		1/4-20x3/4 (4)	47 086 08
	Gasket (2)	277093		Wing nut	X-276-7
60210	Washer, lock	X-20-1		Gasket	AC-1787
	Washer, plain	X-25-63		Stud	210186-1
	Nut, hex.	X-81-1		Base	235123
	Wing nut	X-276-7		Shaft	235377
	Gasket	AC-1787		Kit, screen	47 755 16
	Cleaner, air	151834		Cover	45 082 01
	Stud	210186-1		Element	45 083 02
	Gasket, exhaust (2)	235122		Regulator rectifier	47 403 02
60213	Screw, T.H.			Washer, plain	X-25-52
	1/4-20x3/4 (4)	47 086 08	60287	Screw, T.H.	
	Filter	A-210101		1/4-20x3/4 (4)	47 086 08
	Sleeve	220547		Gasket	235122
	Nut	220786		Stud (2)	235899
	Connector	231509		Valve, shut off	47 462 01
	Rope	A-230099	60295	Regulator-rectifier	41 403 06
60230	Muffler	275679		Gasket, exhaust (2)	235122
60231	Wing nut	X-276-7	60304	Gasket, exhaust (2)	235122
	Gasket	AC-1787		Regulator-rectifier	237335
	Cleaner, air	151834	60307	Gasket, exhaust (2)	235122
	Gasket, exhaust	235122		Regulator-rectifier	41 403 06
	Regulator-rectifier	41 403 06	60310	Clamp, hose (2)	X-426-9
60235	Screw, T.H.			Regulator-rectifier	237335
	1/4-20x3/4 (4)	47 086 08		Valve, shut-off	47 462 01
	Spacer	X-400-71	60335	Condenser	230722
	Regulator-rectifier	41 403 06		Coil	231281
	Connector	237429		Lead	A-231533
	Kit, screen	47 755 22	60347	Regulator-rectifier	277064
60239	Screw, T.H.		60357	Gasket, exhaust (2)	235122
	1/4-20x3/4 (4)	47 086 08		Regulator-rectifier	41 403 06
	Filter	A-210101		Gasket	47 041 02
	Sleeve	220547	60364	Screw, T.H.	
	Nut	220786		1/4-20x3/4 (4)	47 086 08
	Connector	231509		Gasket, exhaust	235122
	Rope	A-230099		Stud (2)	235899
60247	Screw, H.C.	X-167-2 (3)		Valve, shut off	47 462 01
	Wing nut	X-276-7			
	Base, air cleaner	235101			
	Cover, air cleaner	235102			
	Gasket, air horn	275341			

KOHLER **engines**

ENGINE DIVISION, KOHLER CO., KOHLER, WISCONSIN 53044



PARTS MANUAL SUPPLEMENT

MODEL K321 — 14 hp
Specs 60396* — 60399

***Previous specs are covered in Parts Manual TP-691-A.
Also, refer to TP-691-A for parts illustrations.**

Contact your Kohler Distributor for Preliminary Parts Lists on specs not found in this manual or the K321 Parts Manual, TP-691-A. Information from the Preliminary Parts Lists will be added to the manual at the next revision date.

ENGINE DIVISION, KOHLER CO., KOHLER, WISCONSIN 53044

DESCRIPTION	PART NO.	DESCRIPTION	PART NO.	DESCRIPTION	PART NO.
AIR INTAKE — Group 1		Gasket, bearing plate	235757	Screw, H.C., 1/4-20x7/8 (2)	X-132-7
Screw, H.C., 10-32x3/8 (3)	X-167-2	Shaft (2)	236559	Screw, condenser, 6-32x1/4	X-144-2
Nut, wing	X-276-7	Plate, bearing	45 156 03	Rod, breaker	47 411 04
Base, air cleaner	235101	Block, cylinder assembly		Clip	X-728-1
Cover, air cleaner	235102	Guide, valve (2)	235007-S	Gasket, cover	52 041 11
Element	235116	Insert, intake	230265	Grommet	220297
Element, pre-cleaner	237421	Bearing, needle	234866	Boot, spark plug	220791
Gasket, air horn	275341	Insert, exhaust	230170	Cover, breaker	A-220136
BAFFLES & SHROUD — Group 2		CRANKSHAFT — Group 8		Plug, spark	235040-S
Washer, 1/4	X-25-53	Retainer (2)	X-269-34	Clip	275303
Screw, H.C., 1/4-20x3/4 (4)	X-132-2	Crankshaft	47 014 29	Clip, cable	275183
Screw, H.C., 1/4-20x1/2 (2)	X-132-6	Gear assembly (2)	47 042 01	Condenser	47 147 01
Baffle, side air	235652	Bearing, needle (2)	47 030 01	Breaker	47 150 03
Baffle, cylinder	236676	Kit, spacer	47 755 01	Stator assembly	A-235741
Baffle, head	237677	CYLINDER HEAD — Group 9		Coil	47 145 02
Housing, blower	235693	Strap, lifting	47 445 01	Screw	234423
BREATHER & VENT — Group 3		Gasket, head	237658	Cable, high tension	234424
Nut, hex., 1/4-20	X-799-1	Head, cylinder	237670	Core & plate	235759
Seal, breather	231032	Screw, H.C., 3/8-16x1-1/2 (8)	270158	Clip, coil	237919
Reed, breather	235047	Screw, H.C., 3/8-16x1-3/4	270721	OIL PAN — Group 21	
Gasket, breather plate	235048	Washer, 3/8 (10)	270889	Plug, pipe 3/4	X-75-6
Baffle, breather	235117	DIPSTICK — Group 10		Screw, H.C., 3/8-16x1-1/4 (4)	X-159-3
Filter, breather	235118	Tube, oil fill	237012	Gasket, pan	235057
Plate, breather	235631	Dipstick	237013	Base, oil pan	235115
Cover, valve	275143	FLYWHEEL — Group 13		PISTON & ROD — Group 22	
Gasket, valve cover	275144	Washer, 5/8	X-25-104	Rod, conn. assy. (Std.)	A-237344
Stud, valve cover	275220	Nut, 5/8-18	X-119-14	Rod, conn. assy. (.010)	A-237344-10
CAMSHAFT & VALVES — Group 4		Screw, Truss, 1/4-20x5/8 (4)	47 086 05	Piston assembly (Std.)	47 074 21
Rotator (2)	230020	Key	X-286-17	Piston assembly (.003)	47 074 22
Retainer, spring upper (2)	235011	Screen, grass	47 162 02	Piston assembly (.010)	47 074 23
Spring, valve (2)	235168	Washer, plain, 1/4 (4)	X-25-52	Piston assembly (.020)	47 074 24
Pin, camshaft	235193	FUEL PUMP — Group 14		Piston assembly (.030)	47 074 25
Tappet (2)	D-235327	Washer, 1/4 (2)	X-25-63	Ring set (Std. & .003)	236763
Valve, intake	235582	Screw, F.H.M., 1/4-20x3/4 (2)	X-174-2	Ring set (.010)	236764
Valve, exhaust	237672	Clamp, hose (2)	X-426-9	Ring set (.020)	236765
Kit, retainer (2)	41 755 10	Line, fuel	X-810-1	Ring set (.030)	236766
Spacer, camshaft .005 (A.R.)	275066	Gasket, fuel pump pad	47 041 04	Retainer (2)	47 018 01
Spacer, camshaft .010 (A.R.)	275067	Pump, fuel	47 559 04	RETRACTABLE STARTER — Group 23	
Camshaft assembly	47 010 06	Connector, 90° hose	X-380-1	Screw, H.C. (5)	X-156-2
Spring, actuating	47 089 01	Connector, 90° hose	X-391-1	Cup	235685
CARBURETOR — Group 5		GOVERNOR — Group 17		Starter, recoil assembly	47 165 01
Connector, 90° hose	X-391-1	Washer, lock #10 (2)	X-19-1	Spring	231705
Screw, sltd. hd., 5/16-18x1 (2)	X-770-1	Washer, 1/4	X-25-55	Screw, 10x1/2	231683
Gasket, carburetor	271030	Nut, hex., 10-32 (2)	X-70-3	Sheave	231685
Carburetor assembly	47 053 15	Spacer	X-400-80	Cord #6, nylon 66"	231686
Spring, idle speed	232555	Pin, governor stop	231355	Brake	231689
Screw, idle speed adj.	232556	Bushing	235476	Washer	231690
Spring, idle fuel	200380	Screw, shoulder	235477	Screw, hex. hd., 10-32x5/8	231691
Needle, idle fuel adj.	275231	Spring, governor	235496	Dog	231695
Spring, main fuel	200383	Washer, thrust	237022	Washer, thrust	231692
Needle, main fuel adj.	47 103 01	Kit, governor gear	A-236294-S	Washer, spacer	231693
Kit, float	25 757 03	Shaft, governor cross	237455	Pulley	231697
Gasket, bowl baffle	25 041 02	Bracket, speed control assy.	45 217 04	Retainer	231699
Pin, float hinge	200376	Washer, plain, 1/4	X-25-63	Spring, retainer	232525
Gasket, bowl	200375	Nut, hex. (2)	X-70-3	Spacer, nylon	47 112 04
Bowl, fuel	235448	Screw, 1/4-20x1-1/4 (2)	X-132-9	Housing	235696
Screw, bowl retainer	235447	Bracket, adjusting screw	235084	Handle	234452
Gasket, bowl retainer screw	200372	Bracket, speed control	235086	Gasket Set w/seals	47 755 08
Rod, ball joint	235277	Rod, throttle	235277	Gasket Set w/o seals	47 004 01
Joint, ball	45 208 03	Retainer, rod	235278		
Kit, repair	25 757 01	Washer, tension	275690		
CRANKCASE — Group 7		Spacer	45 112 01		
Washer, plain, 1/4	X-25-68	Lever, governor assembly	A-237444		
Screw, H.C., 1/4-20x5/8	X-132-5	Washer, 1/4	X-25-72		
Screw, H.C., 1/4-20x1/2 (3)	X-132-6	Nut, hex.	X-81-1		
Plug, pipe, intake hole	X-75-23	Screw, sems, 1/4-20x1-1/4	X-776-1		
Plug, pipe	X-75-31	Rod, throttle assembly	A-236949		
Screw, H.C., 3/8-16x1 (4)	X-159-2	Nut, hex., 10-32 (2)	X-70-3		
Plug, expansion	X-230-11	Rod, throttle	235078		
Seal, front oil	X-271-30	Joint, ball (2)	237130		
Seal, rear oil	X-379-9	IGNITION — Group 18			
Gasket, camshaft cover	235025	Washer, 1/4	X-25-68		
Cover, camshaft	235026	Screw, self tapping, 8-32x3/8	X-67-59		
Gasket, brg. pl., .010 (A.R.)	235070	Screw, F.H.M., 10-24x3/8 (4)	X-131-1		
Shaft, governor	235125				
Bearing, ball (2)	235376				

DESCRIPTION	PART NO.	DESCRIPTION	PART NO.	DESCRIPTION	PART NO.
AIR INTAKE — Group 1		Seal, rear oil	X-379-9	Shaft, governor cross	237455
Screw, H.C. (3)	X-67-93	Gasket, cover	235025	Spring, governor	47 091 01
Nut, wing	X-276-7	Cover, camshaft	235026	Retainer, throttle rod	235278
Seal	47 032 03	Gasket, bearing plate (A.R.)	235070	Nut, hex., 10-32	X-70-3
Gasket	47 041 02	Shaft, governor	235125-S	Rod, ball joint	235277
Cover, air cleaner	47 082 03	Bearing, ball (2)	235376	Joint, ball	45 208 03
Element	47 083 03	Gasket	235757	Lever, governor assembly	45 087 03
Tube	47 134 02	Plate, bearing	45 156 02	Washer, plain, 17/64	X-25-72
Base, air cleaner	47 094 08	Block, cylinder assembly (USE: Miniblock)	B-237852	Nut, hex., plain, 1/4-20	X-81-1
BAFFLES & SHROUD — Group 2		Insert, intake (2)	230265	Screw, sems, 1/4-20x1-1/4	X-776-1
Washer, plain, 1/4 (3)	X-25-7	Guide, valve (2)	235007-S	Washer, plain, 1/4	X-25-63
Washer, plain, 1/4 (2)	X-25-52	Bearing	234866	Screw, sems, 1/4-20x1-1/4	X-132-9
Washer, plain, 1/4 (2)	X-25-72	CRANKSHAFT — Group 8		Washer, wave	275690
Screw, H.C., 1/4-20x3/4 (5)	X-132-2	Crankshaft	45 014 17	Lever, throttle control	47 090 09
Screw, H.C., 1/4-20x5/8 (2)	X-132-5	Retainer (2)	X-269-34	Spacer	47 112 03
Screw, H.C., 1/4-20x1/2 (2)	X-132-6	Gear assembly (2)	47 042 01	Bracket, choke assembly	47 217 08
Screw, H.C., 5/16-18x1-1/4	X-154-4	Bearing, needle (2)	47 030 01	Screw, Fil., 10-24x1/2 (2)	X-15-5
Screw, #10-32x3/8 (3)	X-167-3	Kit, spacer	47 755 01	Washer, lock 10 (2)	X-19-1
Housing, blower	47 027 05	CYLINDER HEAD — Group 9		Clamp, control	235778
Baffle, side air	47 063 01	Nut (2)	X-83-2	Bracket, choke	47 126 12
Baffle, cylinder	47 063 05	Spacers	X-400-71	Bracket, throttle assembly	47 217 09
Baffle, head	47 124 03	Stud	237522	Nut, hex., plain, 8-32	X-72-4
Bracket, duct support	47 126 08	Gasket, head	237658	Spring, thl. lever adj. scw.	232555
Duct, air	47 281 04	Head, cylinder	237670	Screw, throttle lever adj.	232556
Screw	47 086 02	Screw, H.C., 3/8-16x1-1/2 (7)	270158	Clamp, control	235778
BREATHER & VENT — Group 3		Washer, 3/8 (11)	270889	Bracket	47 126 13
Nut, hex., 1/4-20	X-799-1	Bracket, baffle support	47 126 04	IGNITION — Group 18	
Seal, breather	231032	Screw, H.C., 3/8-16x1-3/4	270721	Washer, 1/4 (2)	X-25-52
Reed, breather	235047	DIPSTICK — Group 10		Screw, sht., mtl., 8-32x3/8	X-67-59
Gasket, breather plate	235048	Screw, R.H. (3)	X-131-2	Screw, F.H.M., 10-24x3/8 (4)	X-131-1
Plate, breather	235631	Gasket	237064	Screw, H.C., 1/4-20x3/8	X-132-1
Baffle, breather	270146	Dipstick	47 038 04	Rod, breaker	47 411 04
Gasket, valve cover	275144	Tube, oil fill	47 180 03	Clip, cable	X-728-1
Stud, valve cover	275220	ELECTRIC START — Group 11		Screw, 10-24x3/4 (4)	X-778-1
Filter, breather	47 050 01	Washer, 3/8 (2)	X-22-1	Clip, tube	X-2000-1
Cover, valve	47 096 01	Screw, H.C. (2)	234948	Gasket, breaker	52 041 11
Hose, breather	47 326 01	Starter assembly	45 098 07	Cover, breaker	232535
CAMSHAFT & VALVES — Group 4		Kit, drive	47 755 07	Backplate, coil	234323
Rotator (2)	230020	Kit, drive parts	47 755 13	Connector	236602
Retainer, spring upper (2)	235011	Cap, drive end	237650	Lead, high tension	238057
Spring, valve (2)	235168	Armature	45 170 02	Clip	275303
Pin, camshaft	235193	Cap, commutator end	48 227 04	Stator	237878
Tappet (2)	D-235327	Kit, brush	48 755 15	Plug, spark	47 132 06
Valve, intake	235582	Thru bolt, w/washer (2)	237649	Breaker	47 150 03
Valve, exhaust	237672	EXHAUST — Group 12		Clip	47 154 01
Kit, retainer (4)	41 755 10	Nut, lock	AC-1536	Grommet, spark plug	47 313 01
Spacer, camshaft, .005 (A.R.)	275066	Elbow, exhaust	47 054 01	Condenser	230722
Spacer, camshaft, .010 (A.R.)	275067	FLYWHEEL — Group 13		Coil, ignition	231281
Camshaft assembly	47 010 09	Washer	X-25-104	Connector	237757
Spring, actuating	47 089 01	Nut, lock	X-119-14	Lead, breaker	47 125 01
CARBURETOR — Group 5		Screw, T.H. (4)	47 086 05	Screw, H.C., 1/4-20x1 (2)	X-132-4
Screw, sltd. hd., 5/16-18x1 (2)	X-770-1	Key	X-286-17	Regulator, rectifier	41 403 05
Connector, 90° hose	X-391-1	Flywheel	47 025 44	OIL PAN — Group 21	
Gasket, carburetor	47 049 01	Screen, grass	47 162 10	Plug, pipe	X-75-2
Carburetor assembly	47 053 03	Washer, plain (4)	X-25-52	Screw, H.C. (4)	X-159-4
Spring, idle speed	232555	FUEL PUMP — Group 14		Gasket, oil pan	235353
Screw, idle speed adj.	232556	Washer, 1/4 (2)	X-25-63	Pan, oil	47 199 02
Spring, idle fuel	200380	Screw, H.C., 1/4-20x3/4 (2)	X-174-2	PISTON & ROD — Group 22	
Needle, idle fuel adj.	275231	Clamp, hose (2)	X-426-9	Rod, conn. assy. (Std.)	A-237344
Spring, main fuel	200383	Line, fuel	X-810-1	Rod, conn. assy. (.010)	A-237344-10
Needle, main fuel adj.	47 103 01	Gasket, fuel pump	47 041 04	Piston assembly (Std.)	47 074 21
Kit, float	25 757 03	Pump, fuel	47 559 04	Piston assembly (.003)	47 074 22
Gasket, bowl baffle	25 041 02	Connector, 90° hose	X-391-1	Piston assembly (.010)	47 074 23
Pin, float hinge	200376	GOVERNOR — Group 17		Piston assembly (.020)	47 074 24
Gasket, bowl	200375	Washer, 1/4	X-25-55	Piston assembly (.030)	47 074 25
Bowl, fuel	235448	Washer, plain, 1/4	X-25-72	Ring, set (Std. & .003)	236763
Screw, bowl retainer	235447	Screw, 1/4-20x3/8 (2)	X-132-6	Ring, set (.010)	236764
Gasket, screw bowl retainer	200372	Spacer	X-400-80	Ring, set (.020)	236765
Rod, ball joint	235277	Pin, governor stop	231355	Ring, set (.030)	236766
Joint, ball	45 208 03	Bushing	235476	Retainer (2)	47 018 01
Kit, repair	25 757 01	Washer, thrust	237022	MINIBLOCK	
CRANKCASE — Group 7		Kit, governor gear	A-235743-S	Miniblock	B-237852
Screw, H.C., 1/4-20x1/2 (4)	X-132-6	WASHER SET		Gasket Set w/seals	47 755 08
Screw, H.C., 3/8-16x1 (4)	X-175-1	Gasket Set w/o seals	47 004 01		
Plug	X-230-11				
Seal, front oil	X-271-30				

DESCRIPTION	PART NO.	DESCRIPTION	PART NO.	DESCRIPTION	PART NO.
AIR INTAKE — Group 1		(USE: Miniblock)	B-237836	Spacer	235085
Screw, H.C., 10-32x5/16 (3)	X-167-2	Insert, intake (2)	230265	Bracket	235084
Nut, wing	X-276-7	Guide, valve (2)	235007-S	Bracket	235086
Base, air cleaner	235101	Bearing	234866	Washer, wave	275690
Cover, air cleaner	235102	CRANKSHAFT — Group 8		Screw, 1/4-20x1-1/4	X-132-9
Element	235116	Retainer (2)	X-269-34	IGNITION — Group 18	
Gasket, air horn	275341	Crankshaft	45 014 01	Screw, self tapping, 8-32x3/8	X-67-59
BAFFLES & SHROUD — Group 2		Gear assembly (2)	47 042 01	Screw, F.H.M., 10-24x3/8 (4)	X-131-1
Washer, 1/4	X-25-53	Bearing, needle (2)	47 030 01	Screw, H.C., 1/4-20x7/8 (2)	X-132-7
Screw, H.C., 1/4-20x3/4 (4)	X-132-2	Kit, spacer	47 755 01	Screw, condenser, 6-32x1/4	X-144-2
Screw, H.C., 1/4-20x1/2 (3)	X-132-6	CYLINDER HEAD — Group 9		Rod, breaker	47 411 04
Baffle, cylinder	235054	Nut, hex. (3)	X-83-2	Clip	X-728-1
Baffle, side air	235652	Nut, hex. (3)	X-83-6	Cover, breaker	A-220136
Baffle, head	236915	Strap, lifting	47 445 01	Gasket, cover	52 041 11
Housing, blower	47 027 08	Screw, H.C., 3/8-16x2 (5)	235175	Grommet	220297
BREATHER & VENT — Group 3		Stud (3)	237277	Boot, spark plug	220791
Nut, hex., 1/4-20	X-799-1	Gasket, head	237658	Clip, cable	275183
Seal, breather	231032	Washer (13)	270889	Clip	275303
Reed, breather	235047	Head, cylinder	47 015 02	Plug, spark	47 132 02
Gasket, breather plate	235048	Screw, H.C.	275196	Condenser	47 147 01
Baffle, breather	235117	Washer, 3/8 (3)	X-22-10	Breaker	47 150 03
Filter, breather	235118	DIPSTICK — Group 10		Washer, 1/4	X-25-68
Plate, breather	235631	Dipstick	A-235092	Stator assembly	A-235741
Cover, valve	275143	EXHAUST — Group 12		Coil	47 145 02
Gasket, valve cover	275144	Pipe, nipple	41 136 02	Screw	234423
Stud, valve cover	275220	Muffler	275679	Cable, high tension	234424
CAMSHAFT & VALVES — Group 4		FLYWHEEL — Group 13		Core & plate	235759
Rotator (2)	230020	Washer, 5/8	X-25-104	Clip, coil	237919
Retainer, spring upper (2)	235011	Nut, 5/8-18	X-119-14	OIL PAN — Group 21	
Spring, valve (2)	235168	Screw, truss, 1/4-20x5/8 (4)	47 086 05	Plug, pipe, 3/4	X-75-6
Pin, camshaft	235193	Key	X-286-17	Screw, H.C., 3/8-16x1-1/4 (4)	X-159-3
Tappet (2)	D-235327	Flywheel	A-235908	Gasket, pan	235057
Valve, intake	235582	Screen, grass	47 162 02	Base, oil pan	235115
Valve, exhaust	237672	Washer, plain, 1/4 (4)	X-25-52	PISTON & ROD — Group 22	
Kit, retainer (2)	41 755 10	FUEL PUMP — Group 14		Rod, conn. assy. (Std.)	A-237344
Spacer, camshaft, .005 (A.R.)	275066	Screw, F.H.M., 1/4-20x3/4 (2)	X-174-2	Rod, conn. assy. (.010)	A-237344-10
Spacer, camshaft, .010 (A.R.)	275067	Gasket, fuel pump	47 041 04	Piston assembly (Std.)	47 074 21
Camshaft assembly	47 010 06	Cover, pump pad	240282	Piston assembly (.003)	47 074 22
Spring, actuating	47 089 01	FUEL TANK — Group 15		Piston assembly (.010)	47 074 23
CARBURETOR — Group 5		Washer, lock (2)	X-20-1	Piston assembly (.020)	47 074 24
Connector, 90° hose	X-391-1	Washer, 1/4	X-25-72	Piston assembly (.030)	47 074 25
Screw, sld. hd., 5/16-18x1 (2)	X-770-1	Nut, hex., 1/4-20 (2)	X-81-1	Ring set (Std. & .003)	236763
Gasket, carburetor	271030	Screw, H.C., 1/4-20x5/8 (2)	X-132-5	Ring set (.010)	236764
Carburetor assembly	47 053 18	Clamp, hose	X-426-9	Ring set (.020)	236765
Spring, idle speed	232555	Bracket, tank	236939	Ring set (.030)	236766
Screw, idle speed adj.	232556	Clip (5)	X-309-16	Retainer (2)	47 018 01
Spring, idle fuel	200380	Line	X-386-14	RETRACTABLE STARTER — Group 23	
Needle, idle fuel adj.	235006	Line	X-386-42	Screw, H.C. (5)	X-156-2
Spring, main fuel	200383	Line	X-386-60	Cup	235685
Needle, main fuel adj.	235415	Filter (2)	220764	Starter, recoil assembly	47 165 01
Kit, float	25 757 03	Bracket, tank	A-236938	Spring	231705
Gasket, bowl baffle	25 041 02	Tank, fuel	41 165 01	Screw, 10x1/2	231683
Pin, float hinge	200376	Bracket, valve	46 128 03	Sheave	231685
Gasket, bowl	200375	Valve, fuel	46 462 05	Cord #6, nylon 66"	231686
Bowl, fuel	236317	GOVERNOR — Group 17		Brake	231689
Screw, bowl retainer	47 100 06	Washer, 1/4	X-25-55	Washer	231690
Gasket, screw bowl retainer	200372	Spacer	X-400-80	Screw, hex. hd., 10-32x5/8	231691
Kit, repair	25 757 01	Pin, governor stop	231355	Dog	231695
CRANKCASE — Group 7		Retainer, rod	235278	Washer, thrust	231692
Washer, plain, 1/4	X-25-72	Bushing	235476	Washer, spacer	231693
Plug, pipe	X-75-31	Spring, governor	235496	Pulley	231697
Screw, H.C., 1/4-20x5/8	X-132-5	Washer, thrust	237022	Retainer	231699
Screw, H.C., 1/4-20x1/2 (3)	X-132-6	Gear, governor	47 042 02	Spring, retainer	232525
Screw, H.C., 3/8-16x1 (4)	X-159-2	Shaft, governor	237455	Spacer, nylon	47 112 04
Plug, expansion	X-230-11	Lever, governor assembly	A-237653	Housing	235696
Seal, front oil	X-271-30	Washer, 1/4	X-25-72	Handle	234452
Seal, rear oil	X-379-9	Nut, hex., 1/4-20	X-81-1	Miniblock	B-237836
Gasket, camshaft cover	235025	Screw, sems, 1/4-20x1/4	X-776-1	Gasket Set w/seals	47 755 08
Cover, camshaft	235026	Bracket, speed control assy.	A-236895	Gasket Set w/o seals	47 004 01
Gasket, brg. pl., .010 (A.R.)	235070	Washer, 1/4	X-25-63		
Shaft, governor	235125-S	Washer, 1/4	X-25-102		
Bearing, ball (2)	235376	Screw, 8-32x1/4	X-51-8		
Gasket, bearing plate	235757	Clamp, swivel wire	48 755 10		
Shaft (2)	236559				
Plate, bearing	45 156 03				
Block, cylinder assembly					

DESCRIPTION	PART NO.	DESCRIPTION	PART NO.	DESCRIPTION	PART NO.
BAFFLES & SHROUD — Group 2		Guide, valve (2)	235007-S	Plug, spark	235710-S
Washer, 1/4 I.D.	X-25-53	Bearing	234866	Clip, lead	275303
Screw, H.C., 1/4-20x3/4 (4)	X-132-2	CRANKSHAFT — Group 8		Stator	237878
Screw, H.C., 1/4-20x1/2 (2)	X-132-6	Retainer (2)	X-269-34	Breaker	47 150 03
Baffle, side air	235652	Crankshaft	45 014 05	Gasket, breaker cover	52 041 11
Baffle, cylinder	236676	Gear assembly (2)	47 042 01	Rod, breaker, push, 1-9/16	47 411 04
Baffle, head	237677	Bearing, needle (2)	47 030 01	Screw, H.C., 1/4-20x3/4 (2)	X-132-4
Housing, blower	47 027 19	Kit, spacer	47 755 01	Connector	236602
BREATHER & VENT — Group 3		CYLINDER HEAD — Group 9		Regulator, rectifier	41 403 05
Clamp, hose	X-426-3	Strap, lifting	47 445 01	Condenser	230722
Clamp, hose	X-426-9	Gasket, head	237658	Coil	231281
Nut, hex., 1/4-20	X-799-1	Head, cylinder	237670	OIL PAN — Group 21	
Seal, breather	231032	Screw, H.C., 3/8-16x1-1/2 (8)	270158	Plug, pipe, 3/8	X-75-10
Reed, breather	235047	Screw, H.C., 3/8-16x1-3/4	270721	Screw, H.C., 3/8-16x1-1/4 (4)	X-159-3
Gasket, breather plate	235048	Washer, 3/8 I.D. (10)	270889	Gasket, pan	235057
Baffle, breather	235117	DIPSTICK — Group 10		Base, oil pan	235147
Filter, breather	235118	Screw, R.H., 10-24x1/2 (3)	X-131-2	PISTON & ROD — Group 22	
Plate, breather	235631	Gasket	237064	Rod, conn. assy. (Std.)	A-237344
Gasket, valve cover	275144	Dipstick	47 038 03	Rod, conn. assy. (.010)	A-237344-10
Cover, valve	275839	Tube, oil fill	47 180 03	Piston assembly (Std.)	47 074 21
Stud, valve cover	275220	EXHAUST — Group 12		Piston assembly (.003)	47 074 22
Hose	47 326 02	Stud (2)	235899	Piston assembly (.010)	47 074 23
CAMSHAFT & VALVES — Group 4		Gasket, exhaust	235122	Piston assembly (.020)	47 074 24
Rotator (2)	230020	FLYWHEEL — Group 13		Piston assembly (.030)	47 074 25
Retainer, spring upper (2)	235011	Washer, 5/8	X-25-104	Ring set (Std. & .003)	236763
Spring, valve (2)	235168	Nut, lock, 5/8-18	X-119-14	Ring set (.010)	236764
Pin, camshaft	235193	Key	X-286-17	Ring set (.020)	236765
Tappet (2)	D-235327	Flywheel	47 025 28	Ring set (.030)	236766
Valve, intake	235582	FUEL PUMP — Group 14		Retainer (2)	47 018 01
Valve, exhaust	237672	Screw, F.H.M. (2)	47 086 08	Miniblock	B-237836
Kit, retainer (2)	41 755 10	Clamp, hose (2)	X-426-9	Gasket Set w/seals	47 755 08
Spacer, camshaft .005 (A.R.)	275066	Line, fuel	X-810-1	Gasket Set w/o seals	47 004 01
Spacer, camshaft .010 (A.R.)	275067	Gasket, fuel pump	47 041 04		
Camshaft assembly	47 010 09	Pump, fuel	47 559 04		
Spring, actuating	47 089 01	Washer, 1/4 I.D. (2)	X-25-63		
CARBURETOR — Group 5		Connector, 90° hose	X-391-1		
Connector, 90° hose	X-391-1	Connector, 90° hose	X-391-1		
Screw, sltd. hd., 5/16-18x1 (2)	X-770-1	Connector, 90° hose	X-391-11		
Gasket, carburetor	271030	GOVERNOR — Group 17			
Carburetor assembly	47 053 29	Washer, 1/4 I.D.	X-25-55		
Spring, idle speed	232555	Spacer	X-400-80		
Screw, idle speed adj.	232556	Pin, governor stop	231355		
Spring, idle fuel	200380	Retainer, rod	235278		
Needle, idle fuel adj.	235006	Bushing	235476		
Spring, main fuel	200383	Spring, governor	235496		
Needle, main fuel adj.	235415	Washer, thrust	237022		
Kit, float	25 757 03	Kit, governor gear	A-235743-S		
Gasket, bowl baffle	25 041 02	Shaft, governor	237455		
Pin, float hinge	200376	Lever, governor assembly	A-237653		
Gasket, bowl	200375	Washer, 1/4 I.D.	X-25-72		
Bowl, fuel	235448	Nut, hex., 1/4-20	X-81-1		
Screw, bowl retainer	47 100 06	Screw, sems, 1/4-20x1-1/4	X-776-1		
Gasket, bowl retainer screw	200372	Washer, 1/4 I.D.	X-25-63		
Kit, repair	25 757 02	Screw, 1/4 I.D.	X-25-102		
Bracket, choke assembly	A-236919	Screw, 8-32x1/4	X-51-8		
Clip, choke cable	235603	Clamp	48 755 10		
CRANKCASE — Group 7		Spacer	235085		
Screw, H.C., 1/4-20x1/2 (4)	X-132-6	Bracket	235084		
Screw, H.C., 3/8-16x1 (4)	X-159-2	Bracket	235086		
Plug, expansion	X-230-11	Washer, wave	275690		
Seal, front oil	X-271-30	Screw, 1/4-20x1-1/4	X-132-9		
Seal, rear oil	X-379-9	IGNITION — Group 18			
Gasket, camshaft cover	235025	Washer, plain, 1/4 I.D. (2)	X-25-52		
Cover, camshaft	235026	Screw, tapping, 8-32x3/8	X-67-59		
Gasket, brg. plate .010 (A.R.)	235070	Screw, sems, 10-24x3/8 (4)	X-131-1		
Shaft, governor	235125-S	Screw, sems, 1/4-20x3/4	X-132-2		
Bearing, ball (2)	235376	Clip, hi-tension	X-728-1		
Gasket, brg. plate	235757	Screw, R.H., 10-24x3/4 (4)	X-778-1		
Shaft (2)	236559	Cover, breaker	232535		
Plate, bearing	45 156 04	Lead, hi-tension	238057		
Block, cylinder assembly (USE: Miniblock)	B-237836				
Insert, intake (2)	230265				